



347 CORAL STREET  
SANTA CRUZ, CA 95060  
(831) 421-9230

SPECIFICATIONS

MATERIAL: 6063-T6 ALUM

FINISH: KYNAR

TITLE

SLATTED LOUVER ASSEMBLY

MOUNTING TYPE

VERTICAL TREE

PART NAME

L20

SCALE

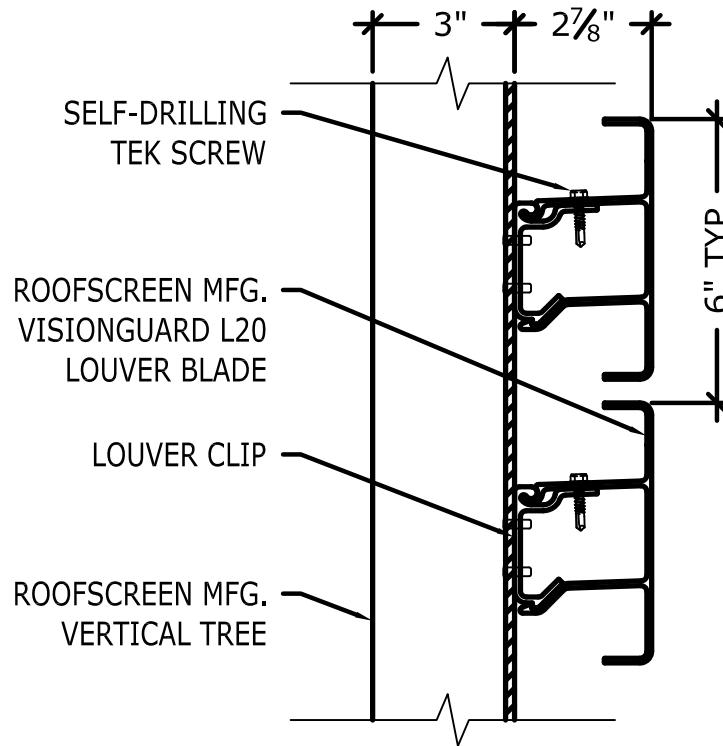
NTS

DRAWN BY

RWB

DATE

09.01.2016



ROOFSCREEN MFG.  
L20 SLATTED LOUVER



347 CORAL STREET  
SANTA CRUZ, CA 95060  
(831) 421-9230

SPECIFICATIONS

MATERIAL: NA

FINISH: NA

TITLE

LOUVER SPLICE JOINT

MOUNTING TYPE

VERTICAL TREE

PART NAME

NA

SCALE

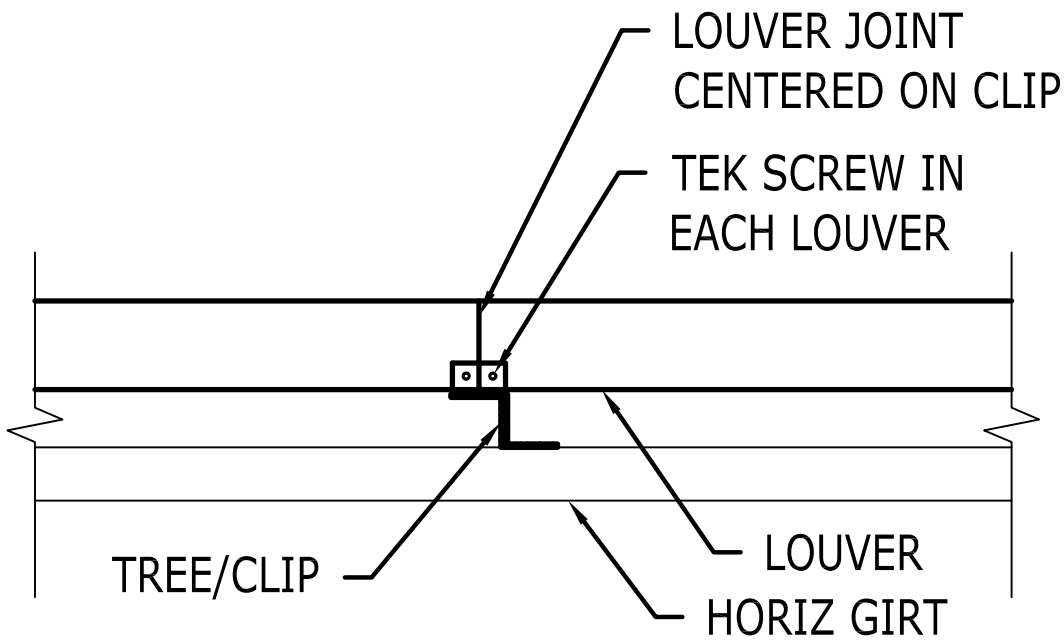
NTS

DRAWN BY

RWB

DATE

09.01.2016



ROOFSCREEN MFG. LOUVER SPLICE JOINT



347 CORAL STREET  
SANTA CRUZ, CA 95060  
(831) 421-9230

SPECIFICATIONS

MATERIAL: NA

FINISH: NA

TITLE

LOUVER CORNER TRIM

FASTENING TYPE

EXPOSED

PART NAME

NA

SCALE

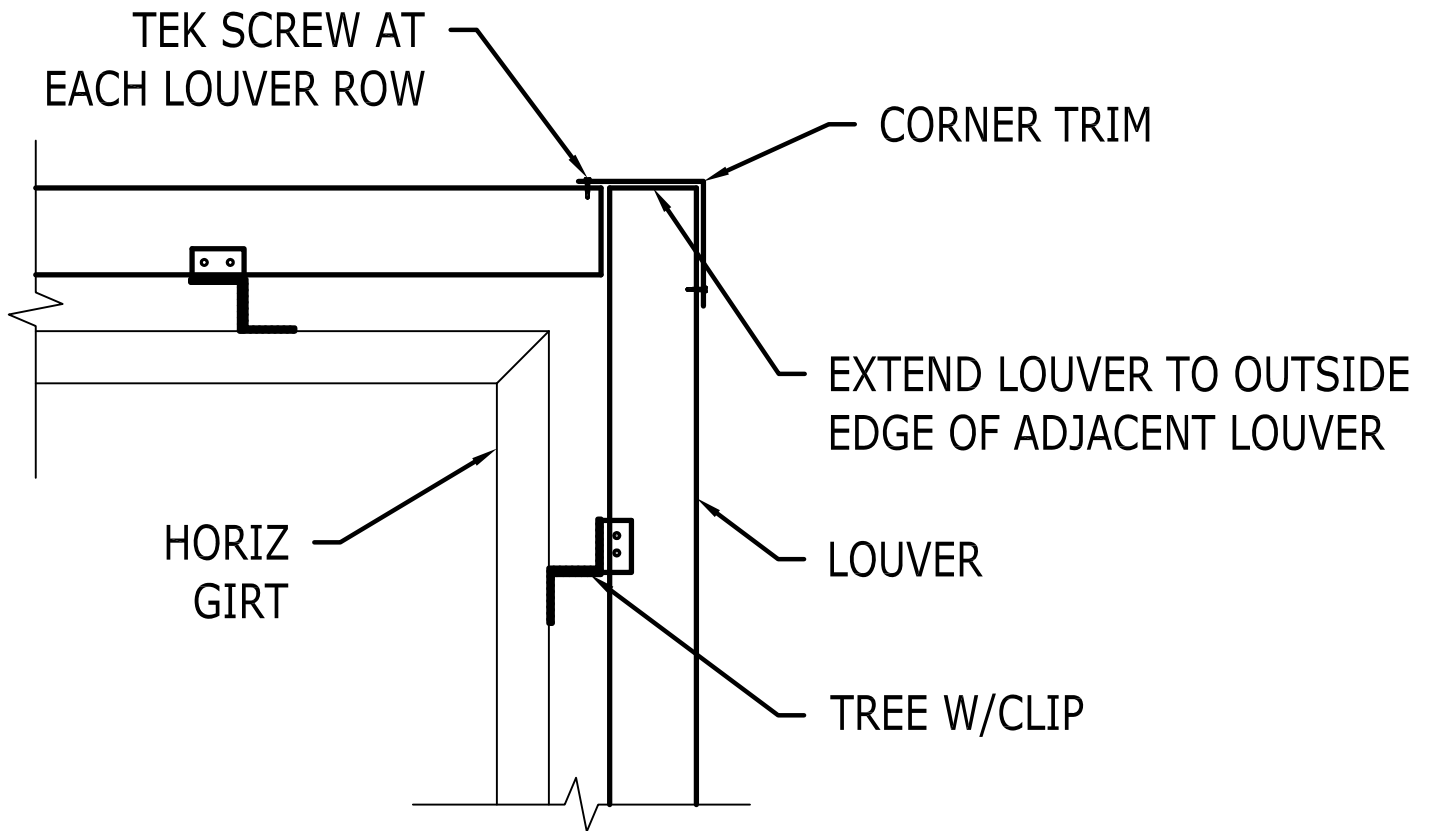
NTS

DRAWN BY

RWB

DATE

09.01.2016



ROOFSCREEN MFG. LOUVER CORNER TRIM



347 CORAL STREET  
SANTA CRUZ, CA 95060  
(831) 421-9230

SPECIFICATIONS

MATERIAL: NA

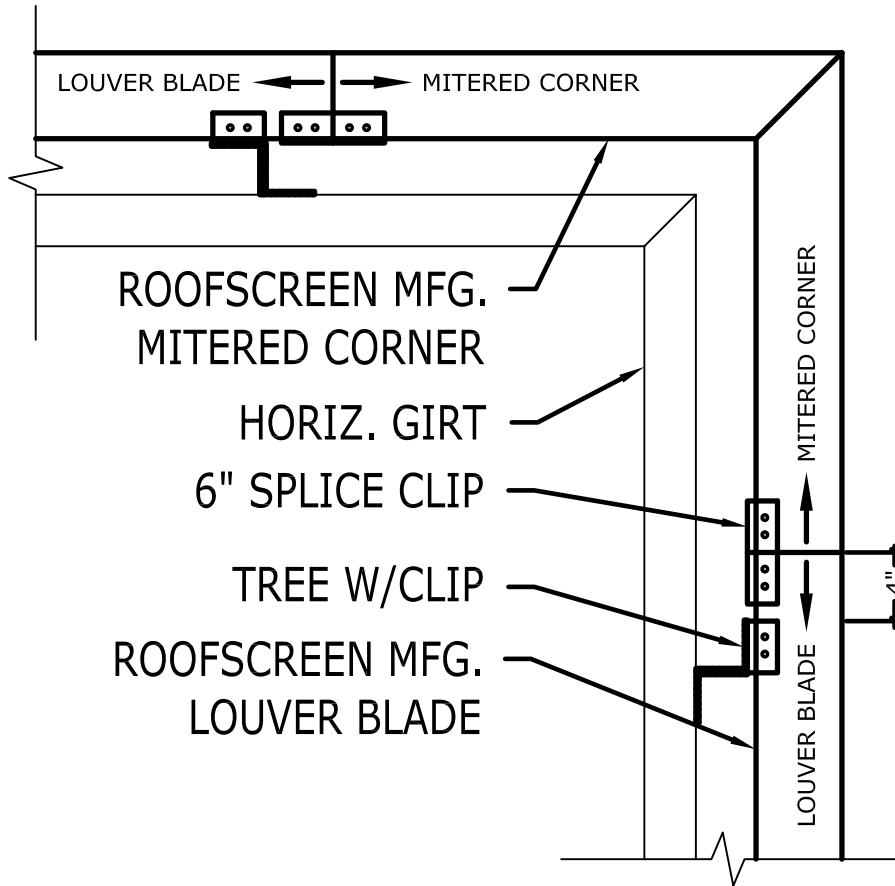
FINISH: NA

TITLE LOUVER WELDED MITERED CORNER

FASTENING TYPE CONCEALED CLIP

PART NAME NA

SCALE NTS DRAWN BY RWB DATE 09.01.2016



ROOFSCREEN MFG. LOUVER WELDED MITERED CORNER



347 CORAL STREET  
SANTA CRUZ, CA 95060  
(831) 421-9230

SPECIFICATIONS

MATERIAL: NA

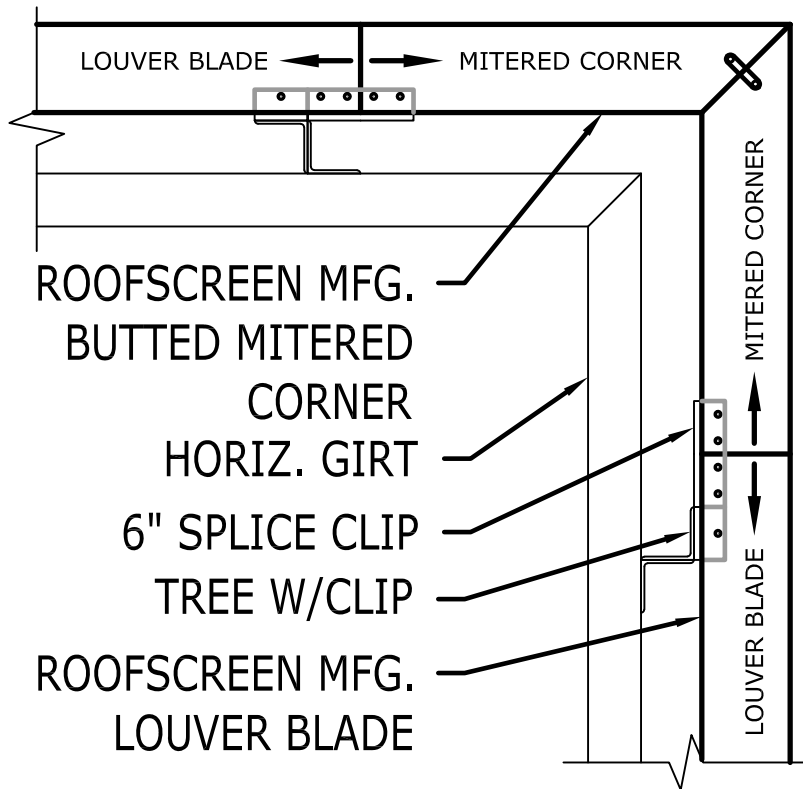
FINISH: NA

TITLE LOUVER BUTTED MITERED CORNER

FASTENING TYPE CONCEALED CLIP

PART NAME NA

SCALE NTS DRAWN BY RWB DATE 09.01.2016



ROOFSCREEN MFG. BUTTED MITERED CORNER