

## Base Support Extension

### Description:

Base Support extensions are used to increase the height of the RoofScreen Square Base Roof Attachment system to accommodate thicker insulation.

### Materials:

- 8" tall extension, P/N BE8
- 5/16" x 1" Stainless Steel Bolts, P/N B12

### Installation:

Base Extensions should be installed after the Base Supports are installed. Place the Base Extension on top of the Base Support and align all (8) bolt holes with the threaded holes on the Base Support. Hand thread each bolt at least two full turns to ensure they are not cross-threaded before using tools to tighten the bolts.

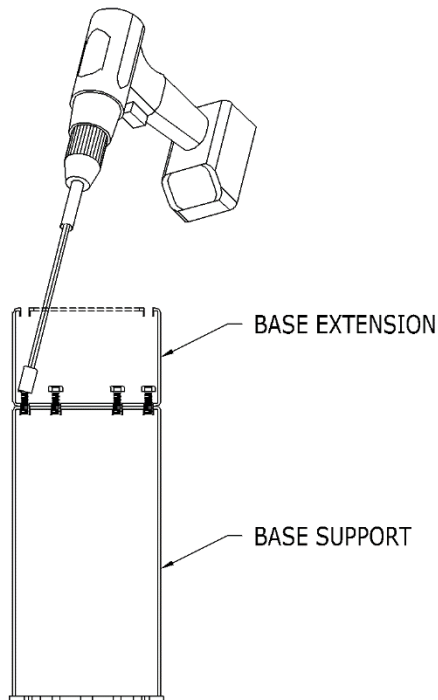
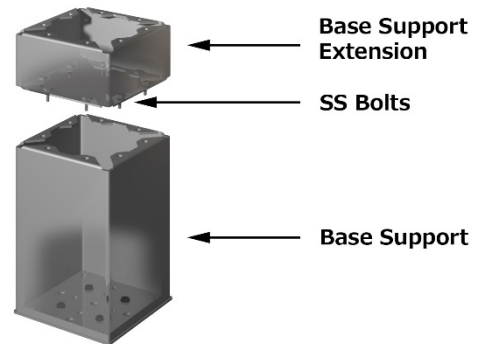


Figure 1

Due to the shape of the bolt hole flanges on the top and bottom of the Base Extension, it is not possible to insert a socket extension vertically into the Base Extension to tighten the bolts, making it difficult for the socket to properly engage the bolt head. See Figure 1.

To remedy this problem, we recommend using a Magnetic Bit Holder Extension, Hex Shank Socket Driver, and 1/2" Swivel Socket as shown in Figure 2.



Figure 2

Using these tools, it is easy to access and tighten each bolt. We recommend checking tightness of each bolt with a standard open-end wrench after installation. For further assistance, please contact us at 866-766-3727.