



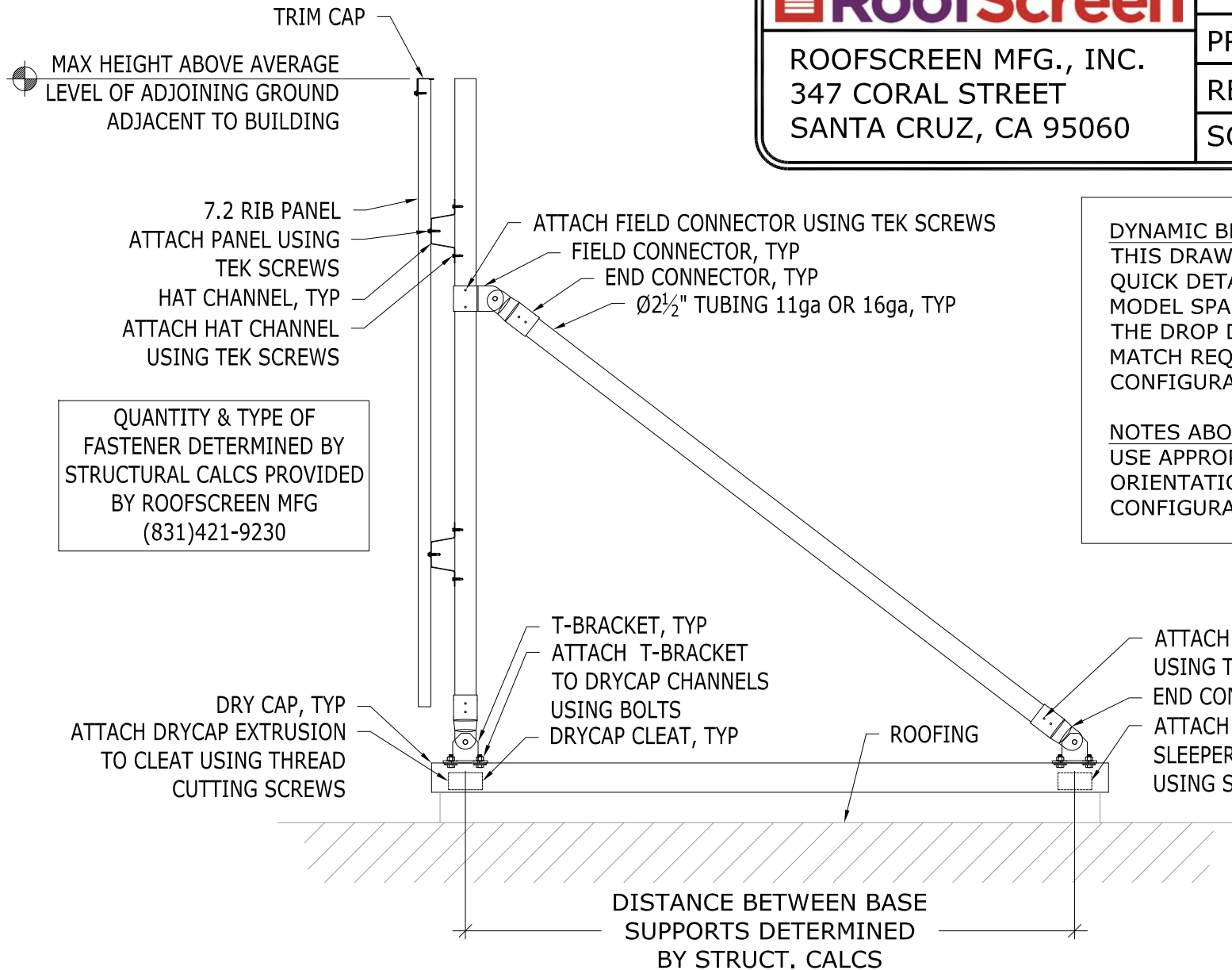
ROOFSCREEN MFG., INC.
347 CORAL STREET
SANTA CRUZ, CA 95060

DRAWN BY: JM

PRINT DATE: 08/19/2016

REV. DATE: 05/09/2017

SCALE: NTS



QUANTITY & TYPE OF FASTENER DETERMINED BY STRUCTURAL CALCS PROVIDED BY ROOFSCREEN MFG (831)421-9230

DYNAMIC BLOCK:
THIS DRAWING CONTAINS DYNAMIC BLOCKS TO QUICK DETAIL CONFIGURATION. CLICK ON DETAIL MODEL SPACE TO CHOOSE APPROPRIATE OPTION. THE DROP DOWN MENU. IF AVAILABLE OPTIONS MATCH REQUIREMENTS, PICK THE CLOSEST CONFIGURATION AND EXPLODE TO EDIT FURTHER.

NOTES ABOUT THIS DETAIL:
USE APPROPRIATE COMBINATION OF PANEL ANGLE AND ORIENTATION TO ACHIEVE DESIRED SCREEN CONFIGURATION.

ROOFSCREEN NC2 (DRYCAP) FRAME



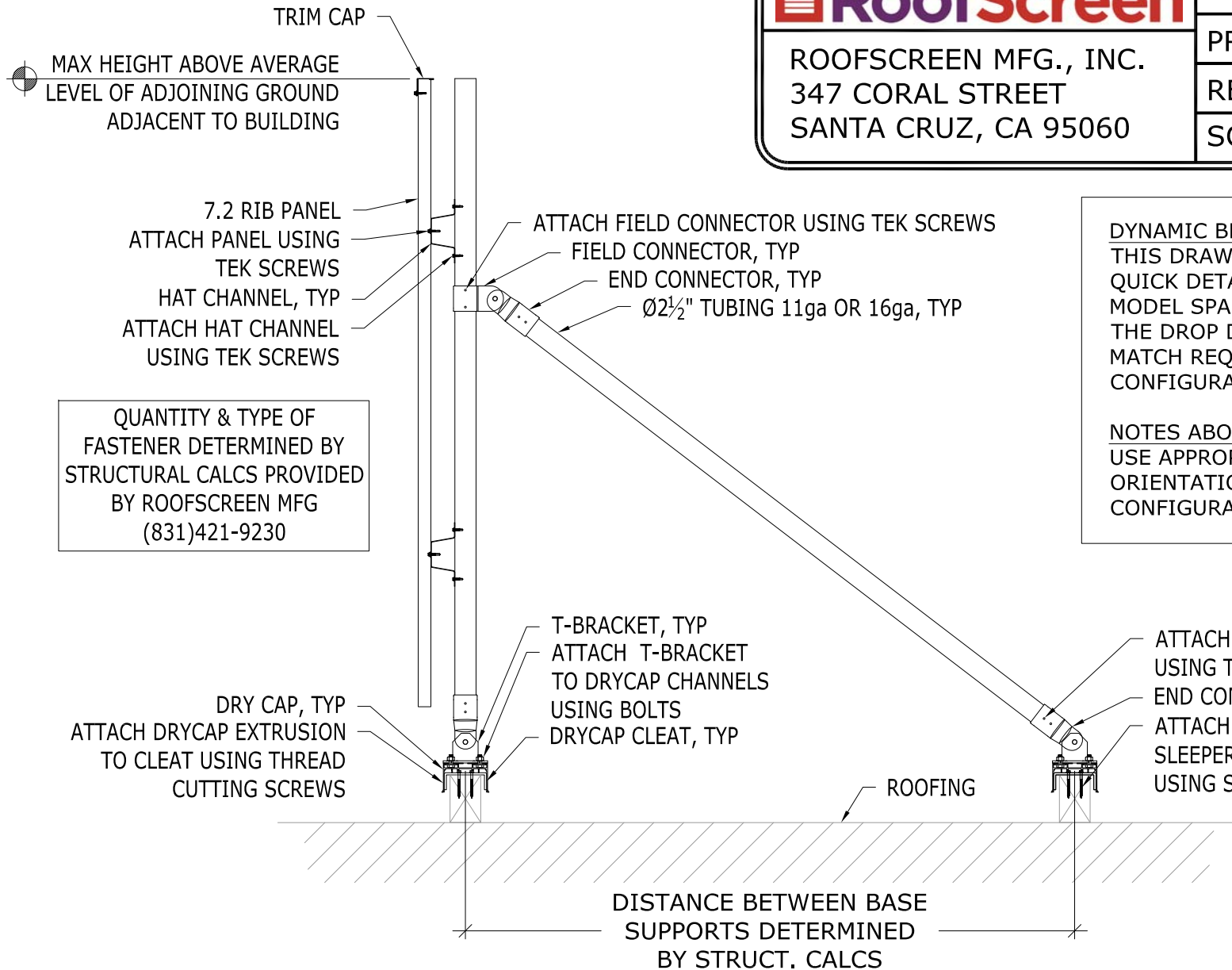
ROOFSCREEN MFG., INC.
 347 CORAL STREET
 SANTA CRUZ, CA 95060

DRAWN BY: JM

PRINT DATE: 08/19/2016

REV. DATE: 05/09/2017

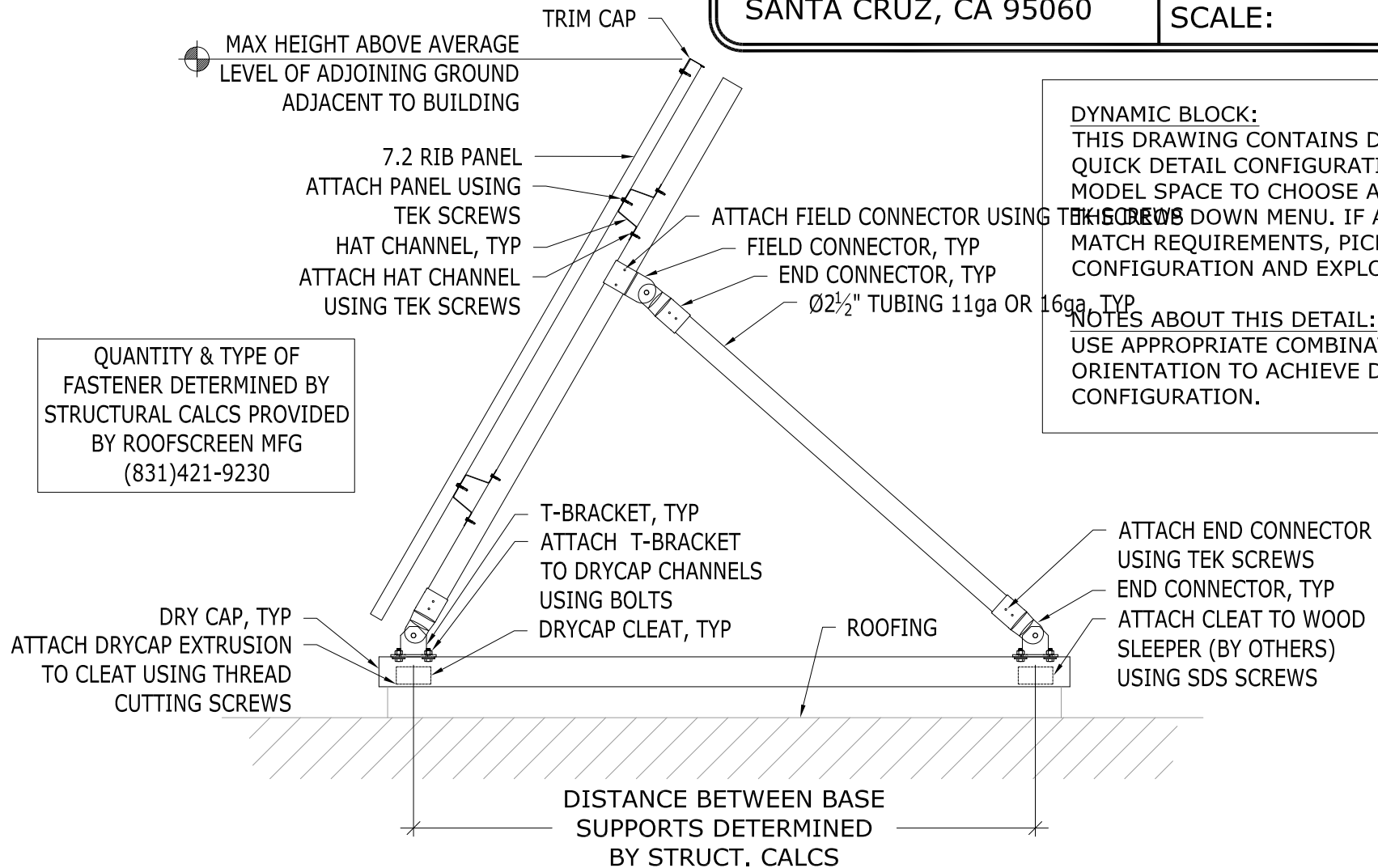
SCALE: NTS



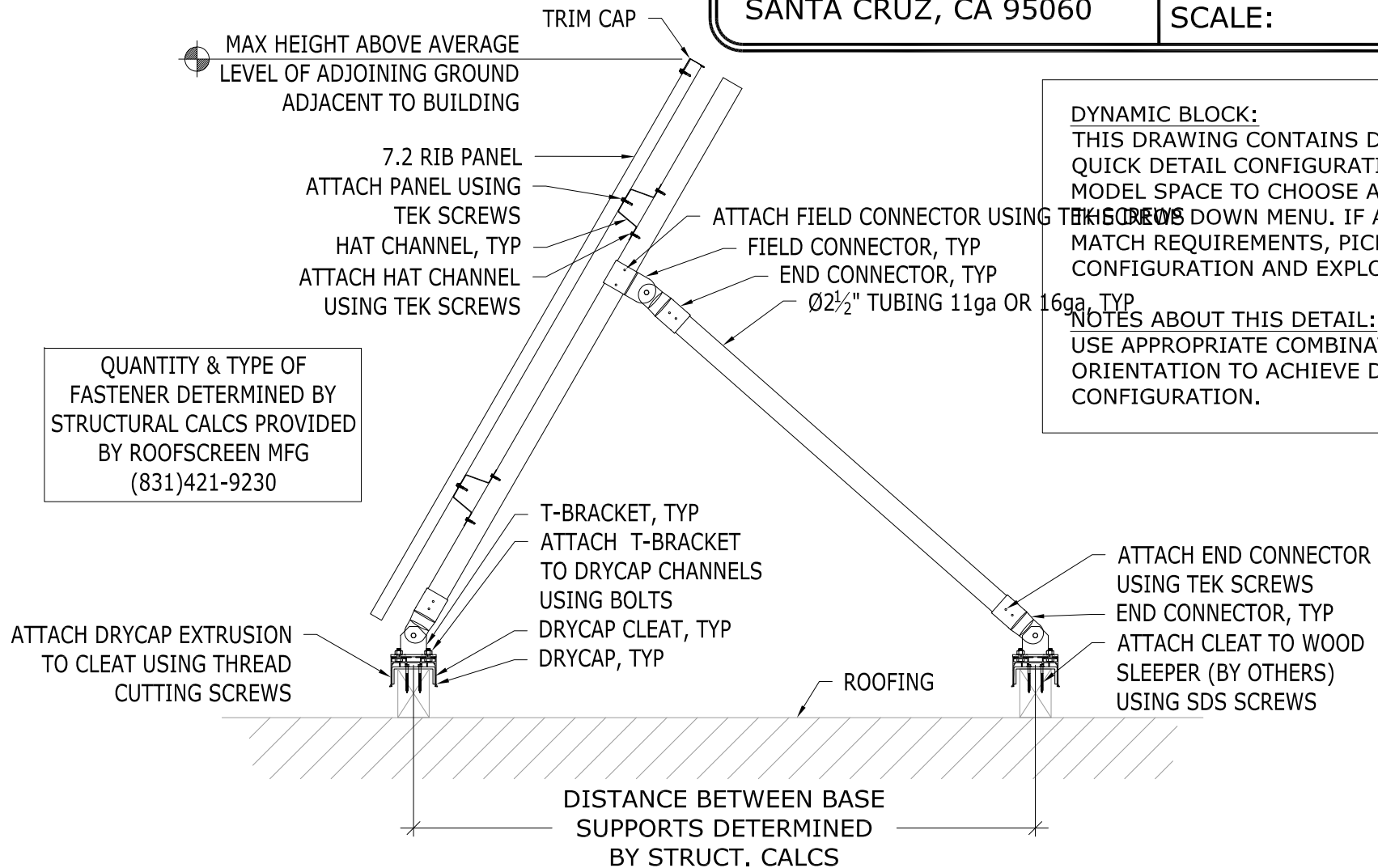
DYNAMIC BLOCK:
 THIS DRAWING CONTAINS DYNAMIC BLOCKS TO QUICK DETAIL CONFIGURATION. CLICK ON DETAIL MODEL SPACE TO CHOOSE APPROPRIATE OPTION. THE DROP DOWN MENU. IF AVAILABLE OPTIONS MATCH REQUIREMENTS, PICK THE CLOSEST CONFIGURATION AND EXPLODE TO EDIT FURTHER.

NOTES ABOUT THIS DETAIL:
 USE APPROPRIATE COMBINATION OF PANEL ANGLE AND ORIENTATION TO ACHIEVE DESIRED SCREEN CONFIGURATION.

ROOFSCREEN NC2 (DRYCAP) FRAME



ROOFSCREEN NC2 (DRYCAP) FRAME



DYNAMIC BLOCK:
THIS DRAWING CONTAINS DYNAMIC BLOCKS TO QUICK DETAIL CONFIGURATION. CLICK ON DETAIL MODEL SPACE TO CHOOSE APPROPRIATE OPTIONS FROM THE DOWN MENU. IF AVAILABLE OPTIONS MATCH REQUIREMENTS, PICK THE CLOSEST CONFIGURATION AND EXPLODE TO EDIT FURTHER.

NOTES ABOUT THIS DETAIL:
USE APPROPRIATE COMBINATION OF PANEL AND ORIENTATION TO ACHIEVE DESIRED SCREEN CONFIGURATION.

QUANTITY & TYPE OF FASTENER DETERMINED BY STRUCTURAL CALCS PROVIDED BY ROOFSCREEN MFG (831)421-9230

ROOFSCREEN NC2 (DRYCAP) FRAME