

DryStand™
Updated 11.19.2020

www.roofscreen.com



DryStand™ Rooftop Supports and Platforms

Description:

DryStand™ is a universal, structural platform system designed for use on commercial rooftops. It attaches to the roof structure with easy-to-flash round posts, and allows unlimited adjustment for length, width and height.

Application:

The DryStand™ system was developed specifically for commercial roofs, but can be used on any flat or low-sloped surface, such as a patio, deck, parking lot, warehouse floor, etc. The round posts include telescoping sleeves to allow height adjustment, making it easy to level the platform on sloped substrates. When used on a roof, the posts may be flashed and roofed with standard round roof flashings.



DryStand™ is capable of supporting many types of equipment including HVAC units & ductwork, satellite dishes, electrical equipment, solar inverters, telecom equipment, rooftop garden boxes and more.

Frame Components:

- Round Post Supports: 12ga galvanized steel tubing, ASTM A 500, welded to min ¼" steel base plate, ASTM A36.
- Sleeve Tube: 11ga galvanized tubing.
- Round Post Cap: AISI Type 304 stainless steel with mill finish.
- C-Saddles, T-Saddles & C-Channels: Formed G90 galvanized cold rolled steel, ASTM A653.

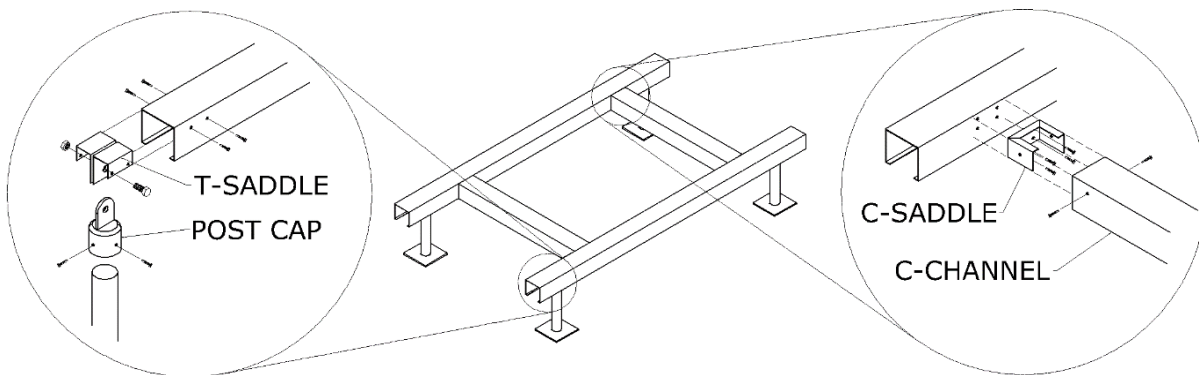


Figure 1

DryStand™
Updated 11.19.2020

www.roofscreen.com



Round Post Supports:

DryStand™ frames are supported with RoofScreen's Round Post Attachment System. This watertight assembly provides a structural connection to the roof framing and allows height adjustment to level the platform. The Round Posts can be roofed in to any type of roofing system with standard round flashing boots.

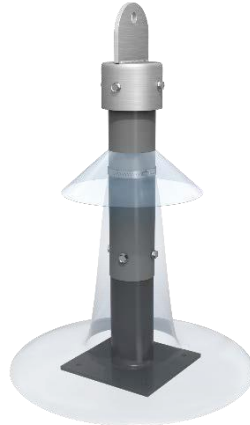


Figure 2

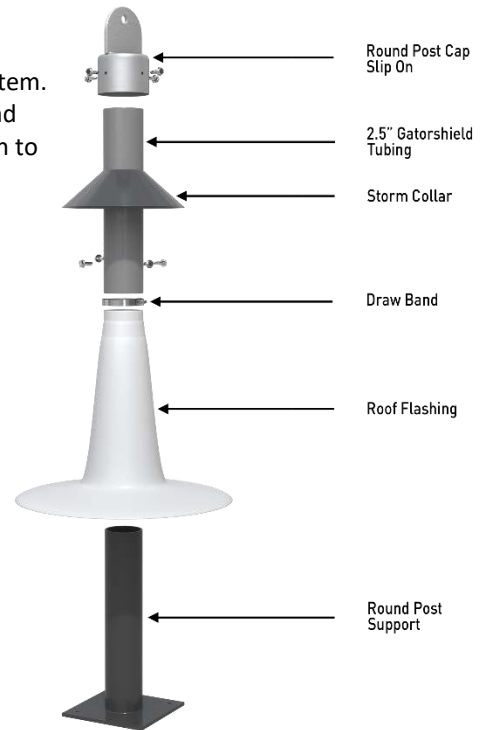


Figure 3

Configurations:

The DryStand design allows unlimited configurations by adding more Round Post Supports and Channels as desired. A few examples are shown in Figure 4.

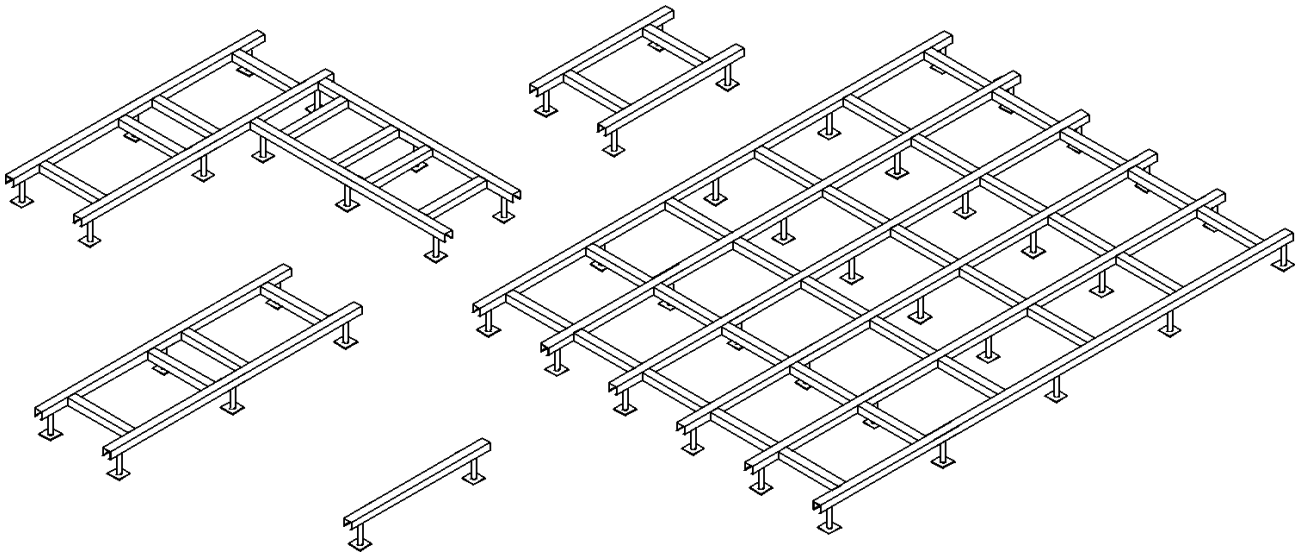


Figure 4

DryStand™
Updated 11.19.2020

www.roofscreen.com



Installation:

The DryStand system is shipped as individual components and assembled in the field. This allows flexibility in the configuration to accommodate unexpected field conditions. The Round Posts are designed to fasten to structural members in the roof with fasteners appropriate for the type of structure (e.g. tek screws for steel joists, anchors for concrete decks, lag screws for wood members, etc.) Saddles, hardware and channels are easily assembled with basic tools.

Warranty:

20-year limited warranty is included. Products must be installed in strict accordance with all details, calculations and instructions provided by RoofScreen.

Capacity or performance information:

For convenience we have pre-engineered 3 basic configurations. DS4 is a light-duty stand with 4 posts, DS6 is a medium-duty stand with 6 posts, and DS8 is a heavy-duty stand with 8 posts.

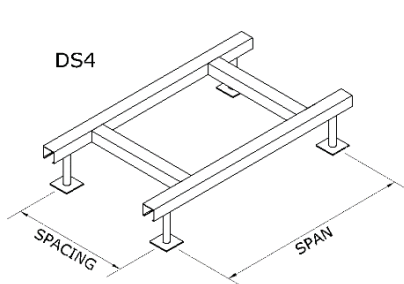


Figure 5

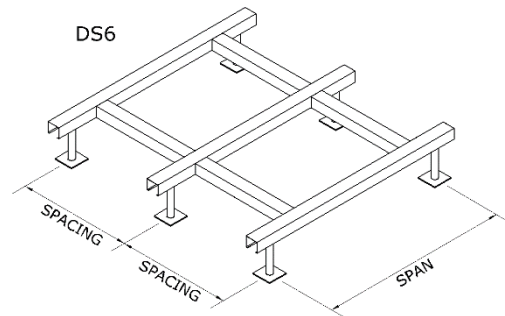


Figure 6

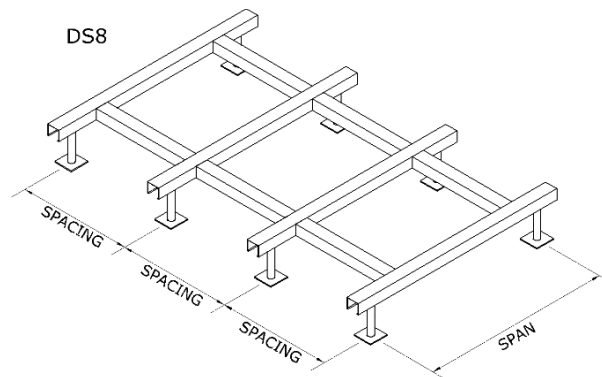
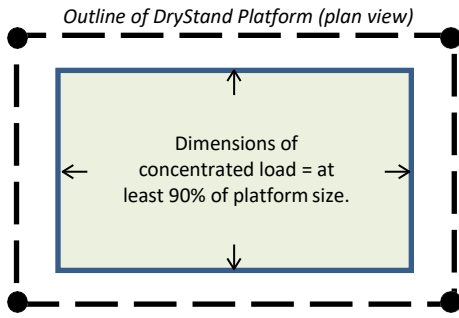
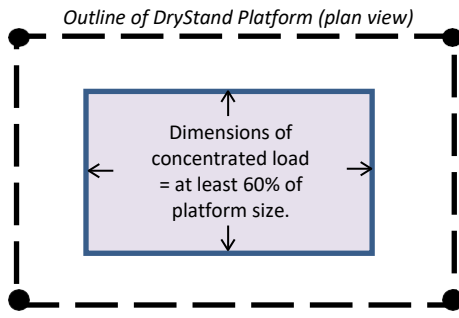
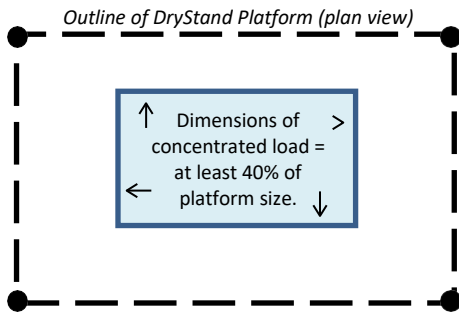


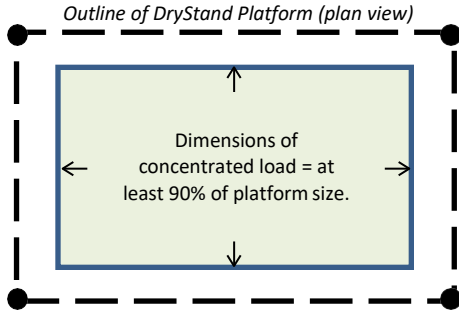
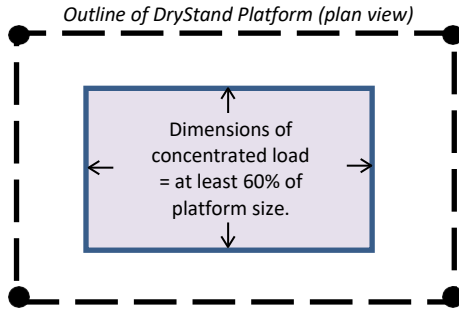
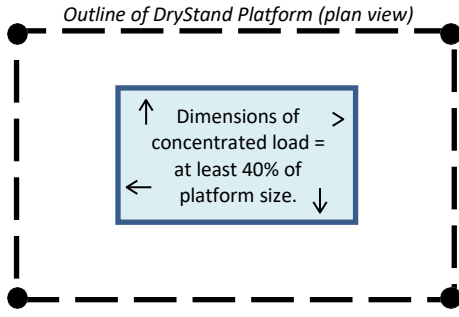
Figure 7

Using the following tables, find the desired spacing and span to determine the maximum weight for each DryStand. Note the spacing is doubled for DS6, and tripled for DS8. For instance, a DS6 DryStand with 4' spacing will actually be 8' long.

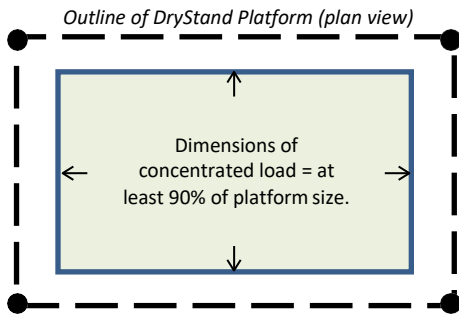
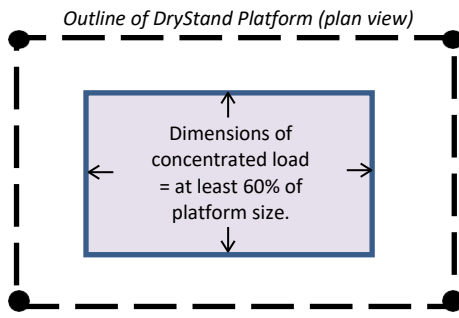
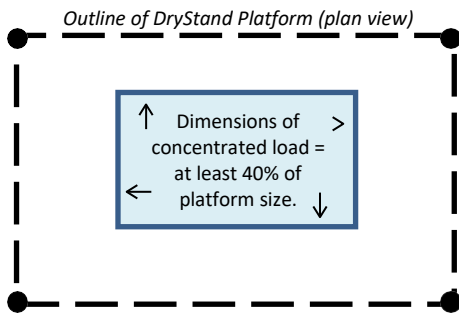
The capacity is greatly dependent on where the load concentration is, and diminishes as the load is concentrated towards the middle of the stand. Please see the load concentration diagrams for each table to find the appropriate capacity.

DS4 - Maximum Allowable Weight Capacity*					
<p>90% Load Concentration</p> <p><i>Outline of DryStand Platform (plan view)</i></p> 		<p>Max Weight (lbs)</p>	Spacing		
			2'	4'	6'
Span	2'	<p>3200</p> <p>#DS49022</p>	<p>1600</p> <p>#DS49042</p>	<p>650</p> <p>#DS49062</p>	
	4'	-	<p>1850</p> <p>#DS49044</p>	<p>800</p> <p>#DS49064</p>	
	6'	-	-	<p>700</p> <p>#DS49066</p>	
<p>60% Load Concentration</p> <p><i>Outline of DryStand Platform (plan view)</i></p> 		<p>Max Weight (lbs)</p>	Spacing		
			2'	4'	6'
Span	2'	<p>2175</p> <p>#DS46022</p>	<p>1075</p> <p>#DS46042</p>	<p>450</p> <p>#DS46062</p>	
	4'	-	<p>1350</p> <p>#DS46044</p>	<p>750</p> <p>#DS46064</p>	
	6'	-	-	<p>800</p> <p>#DS46066</p>	
<p>40% Load Concentration</p> <p><i>Outline of DryStand Platform (plan view)</i></p> 		<p>Max Weight (lbs)</p>	Spacing		
			2'	4'	6'
Span	2'	<p>1600</p> <p>#DS44022</p>	<p>800</p> <p>#DS44042</p>	<p>400</p> <p>#DS44062</p>	
	4'	-	<p>1050</p> <p>#DS44044</p>	<p>700</p> <p>#DS44064</p>	
	6'	-	-	<p>775</p> <p>#DS44066</p>	

*Wind and seismic loads are included in the listed capacities and are calculated with the following assumptions: Velocity pressure 31.4 (psf), 115 mph, exposure B. Wind loads applied to surface area equal to the longest dimension of the concentrated load x 36" tall. Seismic loading based on Site Class D.

DS6 - Maximum Allowable Weight Capacity*					
<p>90% Load Concentration</p> <p><i>Outline of DryStand Platform (plan view)</i></p> 		Max Weight (lbs)	Spacing		
			2'	3'	4'
Span	4'	4350 #DS69024	4350 #DS69034	3800 #DS69044	
	6'	-	4350 #DS69036	4000 #DS69046	
	8'	-	-	4100 #DS69048	
<p>60% Load Concentration</p> <p><i>Outline of DryStand Platform (plan view)</i></p> 		Max Weight (lbs)	Spacing		
			2'	3'	4'
Span	4'	2150 #DS66024	2150 #DS66034	2150 #DS66044	
	6'	1525 #DS66026	1525 #DS66036	1450 #DS66046	
	8'	-	1050 #DS66038	900 #DS66048	
<p>40% Load Concentration</p> <p><i>Outline of DryStand Platform (plan view)</i></p> 		Max Weight (lbs)	Spacing		
			2'	3'	4'
Span	4'	1325 #DS64024	1325 #DS64034	1325 #DS64044	
	6'	925 #DS64026	925 #DS64036	925 #DS64046	
	8'	625 #DS64028	600 #DS64038	625 #DS64048	

*Wind and seismic loads are included in the listed capacities and are calculated with the following assumptions: Velocity pressure 31.4 (psf), 115 mph, exposure B. Wind loads applied to surface area equal to the longest dimension of the concentrated load x 36" tall. Seismic loading based on Site Class D.

DS8 - Maximum Allowable Weight Capacity*					
<p>90% Load Concentration</p> <p><i>Outline of DryStand Platform (plan view)</i></p> 		Max Weight (lbs)	Spacing		
			2'	3'	4'
Span	4'	6500 #DS89024	6500 #DS89034	5200 #DS89044	
	6'	6600 #DS89026	6600 #DS89036	5650 #DS89046	
	8'	-	6600 #DS89038	5700 #DS89048	
<p>60% Load Concentration</p> <p><i>Outline of DryStand Platform (plan view)</i></p> 		Max Weight (lbs)	Spacing		
			2'	3'	4'
Span	4'	3150 #DS86024	3150 #DS86034	3150 #DS86044	
	6'	2250 #DS86026	2250 #DS86036	2000 #DS86046	
	8'	1750 #DS86028	1450 #DS86038	1150 #DS86048	
<p>40% Load Concentration</p> <p><i>Outline of DryStand Platform (plan view)</i></p> 		Max Weight (lbs)	Spacing		
			2'	3'	4'
Span	4'	2000 #DS84024	2000 #DS84034	2000 #DS84044	
	6'	1925 #DS84026	1450 #DS84036	1350 #DS84046	
	8'	1125 #DS84028	1025 #DS84038	900 #DS84048	

*Wind and seismic loads are included in the listed capacities and are calculated with the following assumptions: Velocity pressure 31.4 (psf), 115 mph, exposure B. Wind loads applied to surface area equal to the longest dimension of the concentrated load x 36" tall. Seismic loading based on Site Class D.