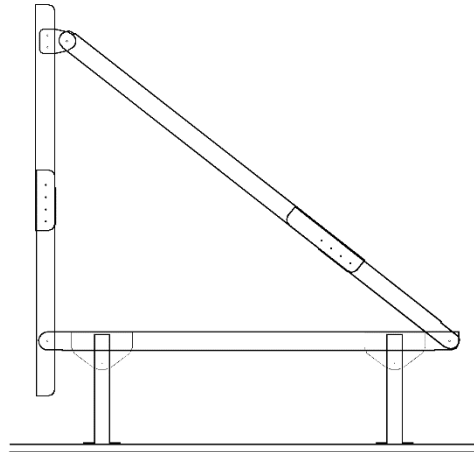


RoofScreen QuickScreen Frame
Updated 06.18.20

www.roofscreen.com

QuickScreen™ Frame



Example of RoofScreen QuickScreen Frame Configuration

Description:

The QuickScreen frame is a light-duty frame kit system with heights ranging from 4'3" to 7'0", and spans the distance between Round Post Supports, ranging from 2' to 8'. The frames consist of 3 galvanized channel members, 3 galvanized connector brackets and two Round Post Supports. This system is highly adjustable during installation and does not require perfect alignment of the front Post Supports from frame to frame. The vertical and diagonal members are telescoping for maximum height and plumb adjustability.

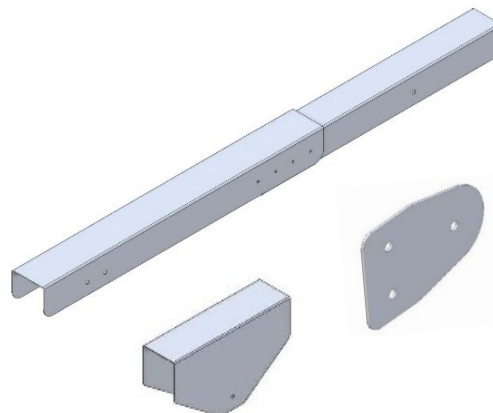
Application:

QuickScreen frames are designed to be used as the primary structural supports for equipment screens on flat and low sloped commercial rooftops. The frames can accommodate virtually any type of face panels or materials to achieve the desired aesthetics for the building. The Round Post Support system can attach in a watertight manner to any type of roof construction, occasionally needing additional structural blocking or reinforcement.

Materials/Components:

Channel and Connector Brackets:

- 12ga, 14ga and 16ga CRS, ASTM A653.
- $F_y = 55\text{ksi}$ (min).
- G90 galvanized.



RoofScreen QuickScreen Frame
Updated 06.18.20

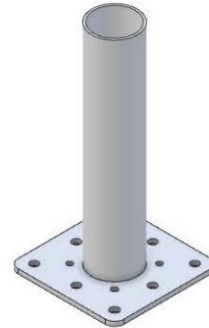
www.roofscreen.com

Hardware:

- Nuts and bolts used for connectors are corrosion resistant 18-8 stainless steel.
- Tek Screws are carbon steel with premium coating.

Roof Connections:

- Welded steel Round Post Support.
- Flashing boot matching roof type.
- Draw band and EPDM storm collar for added protection.



Structural Notes:

The modular design allows the frame configuration and spacing to be adapted to any wind load. In high wind load regions, the frames are installed closer together and use heavier materials. Round Post Supports are fixed to the horizontal channel members, resisting moment, and reducing torque that would otherwise be transferred into the roof structure.

All projects require analysis and calculations by a licensed professional engineer to ensure the design is appropriate for the specific conditions that apply.

Installation:

QuickScreen kits are delivered mostly preassembled to allow very quick installation. There are two assemblies and two Round Post Supports. The horizontal assembly consists of the lower portions of the vertical and diagonal channels. The vertical assembly consists of the upper portions of the vertical and diagonal channels. Installation consists of attaching the Round Post Supports into their correct position, attaching the horizontal assembly onto the Round Posts, sliding the upper channel assembly onto the vertical and diagonal channels, leveling/plumbing the frame, and locking it together with self-drilling tek screw. A full installation manual is available, and most projects include full shop drawings showing project specific details.

Warranty:

When the system is designed and engineered by RoofScreen Mfg., we include a 20-year limited warranty.