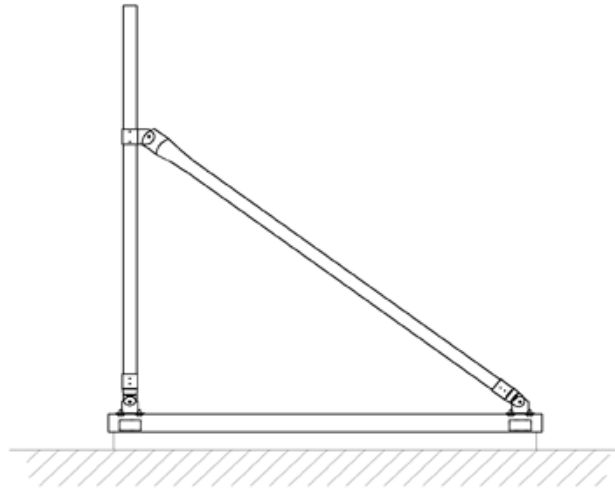


NC2D Frame (Two-Member Frame on DryCap™ Sleeper Cap)



Example of RoofScreen NC2D Frame Configuration

Description:

The NC2D frame is a light-duty frame consisting of two round galvanized tube members, stainless steel connector fittings and T-Brackets mounted on our patented watertight DryCap™ system. The tops of the DryCap™ system have slotted channels allowing the T-Brackets to be mounted to any point along the top of the DryCap™. This allows unlimited adjustment for the frame and screen face.

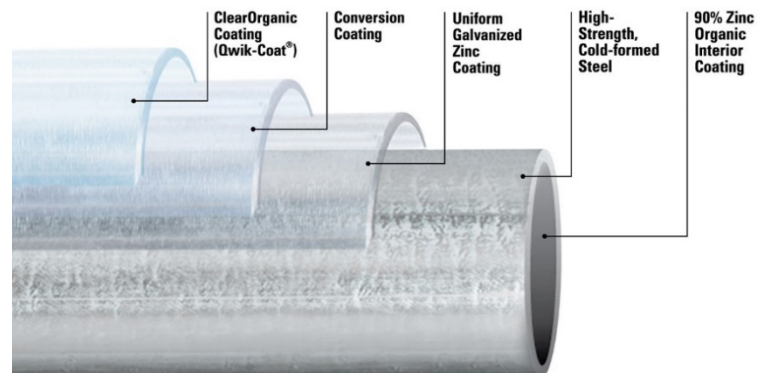
Application:

NC2D frames are designed to be used as the primary structural supports for equipment screens on flat and low sloped commercial rooftops. The frames can accommodate virtually any type of face panels or materials to achieve the desired aesthetics for the building. The DryCap™ system can attach in a watertight manner to any type of roof construction, occasionally needing additional structural blocking or reinforcement.

Materials/Components:

Tubing:

- High-strength Gatorshield Galvanized Steel Tubing. Superior corrosion resistance with triple layer of protection conforming to the highest standards of ASTM A1057.
- 2.5" O.D., 16ga and 11ga.
- Minimum 50 ksi yield and 55 ksi tensile.



RoofScreen NC2D Frame
Updated 06.18.20

www.roofscreen.com

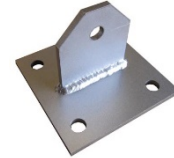
Connector Fittings:

- Tube Connectors formed from AISI Type 304 Stainless Steel, Mill finish.
- T-Brackets formed from AISI Type 304 Stainless Steel or mild steel with hot dipped G90 galvanizing.



Hardware:

- Nuts and bolts used for connectors are corrosion resistant 18-8 stainless steel.
- Tek Screws are carbon steel with premium coating.



Roof Connections:

- RoofScreen's DryCap™ system. See product data sheet at roofscreen.com/downloads.



Structural Notes:

The modular design allows the frame configuration and spacing to be adapted to any wind load. In high wind load regions, the frames are installed closer together and use heavier materials.

All projects require analysis and calculations by a licensed professional engineer to ensure the design is appropriate for the specific conditions that apply.

Installation:

For typical RoofScreen projects, the frame tubes are delivered pre-cut based on the dimensions of the tallest frame on the project. Depending on the amount of roof slope, some tubes may require field trimming during installation. The installation consists of connecting the tubes together with pre-assembled fittings, adjusting for levelness then locking them together with self-drilling tek screws. A full installation manual is available, and most projects include full shop drawings showing project specific details.

Warranty:

When the system is designed and engineered by RoofScreen Mfg., we include a 20-year limited warranty.