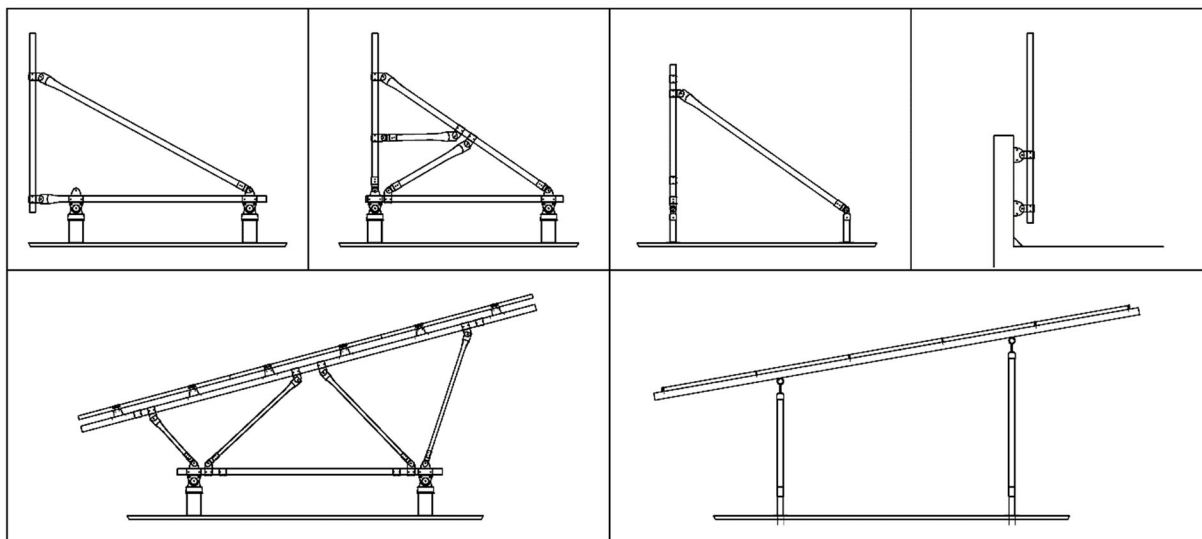


Steel Tube Framing



Examples of common RoofScreen and Silverback Solar frame configurations

Description:

RoofScreen framing systems consist of high strength round steel tubing connected by formed stainless steel connector fittings and hardware. The number of configurations that can be constructed with this system is unlimited.

Tubing Materials:

- High-strength mechanical tubing
- Conforms to (ASTM A500), min Fy = 40 ksi
- 2.5" O.D., 16ga and 11ga
- Coated galvanized layer conforming to the highest standards of ASTM A1057 for a longer lasting pipe



Connector Fitting Materials:

- Formed from AISI Type 304 Stainless Steel
- Mill finish

Hardware:

- Nuts and bolts used for connectors are corrosion resistant 18-8 stainless steel.
- Tek Screws are carbon steel with premium coating.





Application:

RoofScreen™ tube and connector framing components may be used to construct many types of structural frames. The most common use is for equipment screen walls, mounted to the RoofScreen Mfg. Watertight Roof Attachment Systems.

Structural Capacity:

The modular design allows the frame configuration and spacing to be adapted to any wind load. In high wind load regions, the frames are installed closer together and use heavier materials. Frame configurations, sizes and spacing should be calculated for specific site conditions by a qualified engineering professional.

Installation:

For typical RoofScreen projects, the frame tubes are delivered pre-cut based on the dimensions of the tallest frame on the project. Depending on the amount of roof slope, some tubes may require field trimming during installation. The installation consists of connecting the tubes together with pre-assembled fittings, adjusting for levelness then locking them together with self-drilling tek screws. A full installation manual is available, and most projects include full shop drawings showing project specific details.

Warranty:

When the system is designed and engineered by RoofScreen Mfg, we include a 20-year limited warranty.