

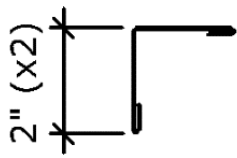
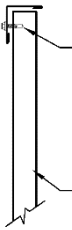
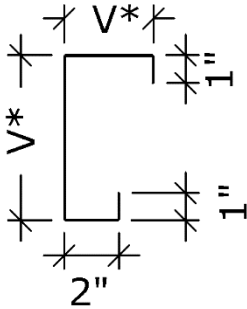
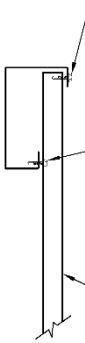
Panel Trims

Description:

Trims are designed to cover the tops, edges and corners of metal panels, and can be an effective way to enhance the aesthetic value of a project.

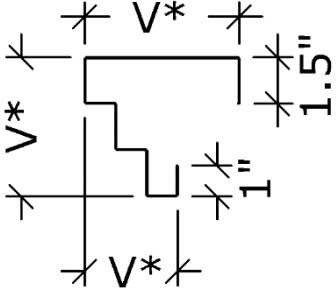
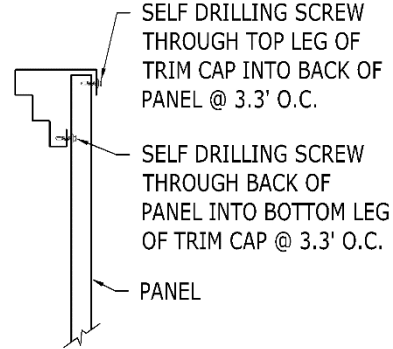
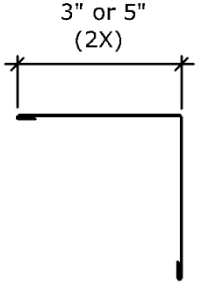
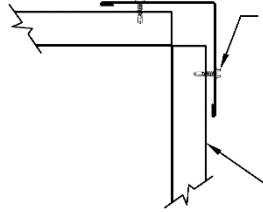
Specifications:

- Material: 24ga steel is standard. Other gauges and materials are available upon request. Trim material should match the panels being used on the project.
- Length: 10' sections.
- Fasteners: Self-drilling Tek screws. When exposed, the heads are color matched to the trim color.
- Colors: Typically, the trim will match the panel color. However, trims can be ordered in other colors if desired.
- Finish: Factory applied Kynar is standard.
- Warranty: 20 years.

Trim Details		
Trim Name	Drawing <small>*V indicated Varies by Panel Type</small>	Attachment Detail
Standard Trim Cap		 <p>COLOR MATCHED SELF DRILLING SCREW THROUGH FACE OF TRIM CAP INTO PANEL @ 3' O.C.</p> <p>PANEL</p>
Box Trim Cap		 <p>SELF DRILLING SCREW THROUGH TOP LEG OF TRIM CAP INTO BACK OF PANEL @ 3.3' O.C.</p> <p>SELF DRILLING SCREW THROUGH BACK OF PANEL INTO BOTTOM LEG OF TRIM CAP @ 3.3' O.C.</p> <p>PANEL</p>

Panel Trims
Updated 03.28.16

www.roofscreen.com

Trim Details		
Trim Name	Drawing *V indicated Varies by Panel Type	Attachment Detail
Stepped Trim Cap		 <p>SELF DRILLING SCREW THROUGH TOP LEG OF TRIM CAP INTO BACK OF PANEL @ 3.3' O.C.</p> <p>SELF DRILLING SCREW THROUGH BACK OF PANEL INTO BOTTOM LEG OF TRIM CAP @ 3.3' O.C.</p> <p>PANEL</p>
Corner Trim		 <p>COLOR MATCHED SELF DRILLING SCREW INTO PANEL @ 12" O.C.</p> <p>PANEL</p>

Installation:

Trims are fastened with either rivets or tek screws. When fastened through the front of the trim, color matched fasteners should be used. Fastener quantity and method for attaching trim varies by type (see attachment details above). Trims are supplied in 10' lengths. Mitters and end laps should be field performed by trimming, notching and forming as required.

Warranty:

When RoofScreen provides project design and engineering calculations, a 20 year limited warranty is included.