



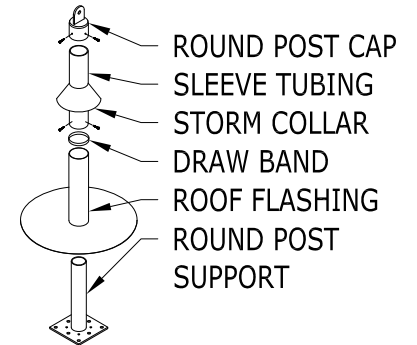
DRAWN BY: ML

ROOFSCREEN MFG., INC.  
347 CORAL STREET  
SANTA CRUZ, CA 95060

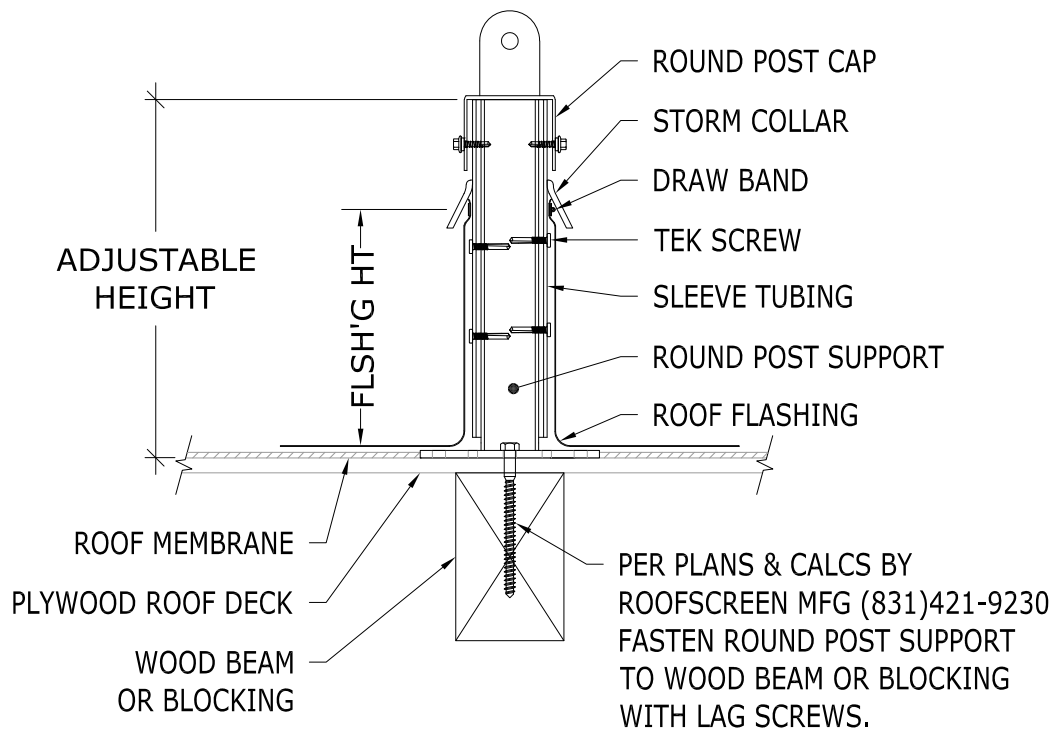
PRINT DATE: 11/10/2016

REV. DATE: 11/10/2016

SCALE: NTS



EXPLODED VIEW



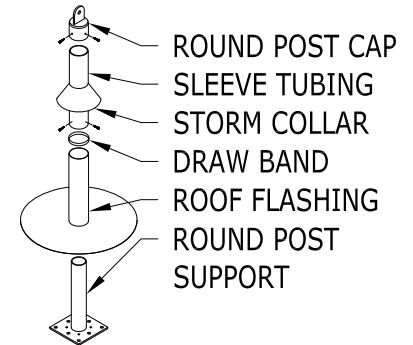
**PLYWOOD OVER WOOD FRAMING  
LAG SCREW ATTACH - NO INSULATION**

ROOFSCREEN MFG., INC.  
 347 CORAL STREET  
 SANTA CRUZ, CA 95060

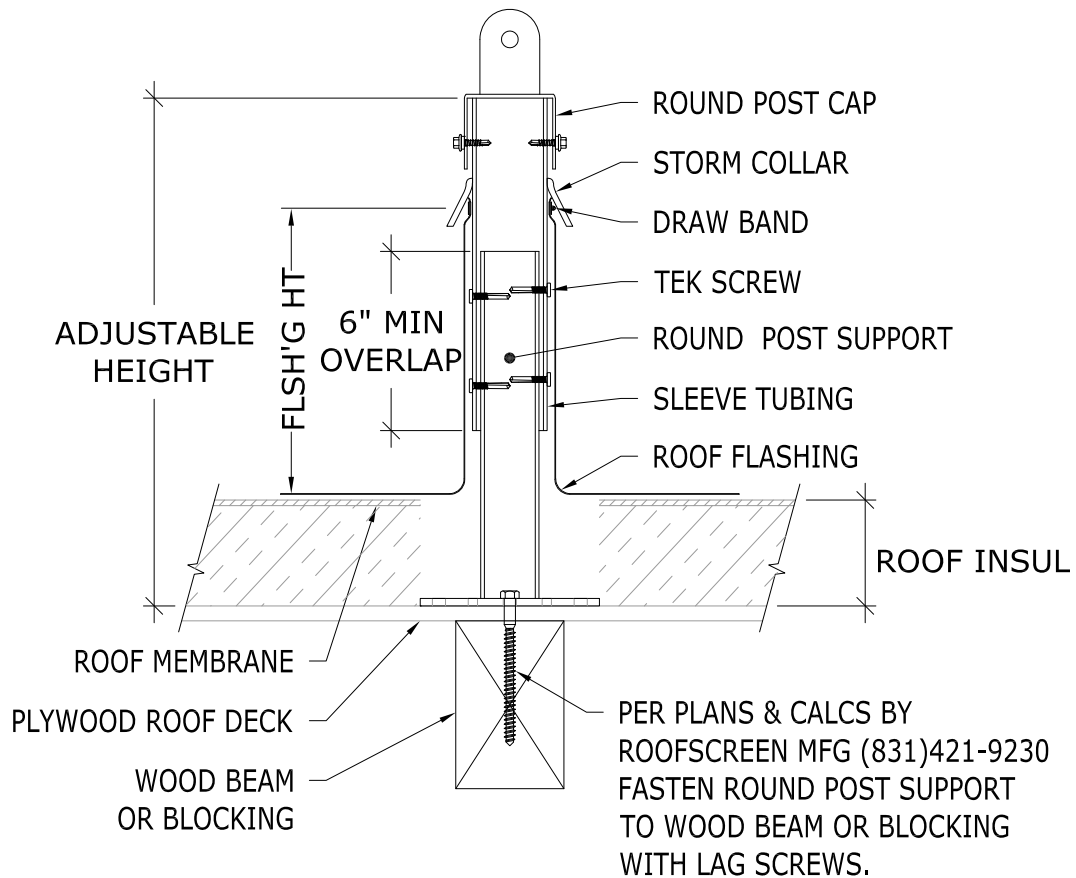
PRINT DATE: 11/10/2016

REV. DATE: 11/10/2016

SCALE: NTS



EXPLODED VIEW



PLYWOOD OVER WOOD FRAMING  
 LAG SCREW ATTACH - WITH INSULATION



DRAWN BY:

ML

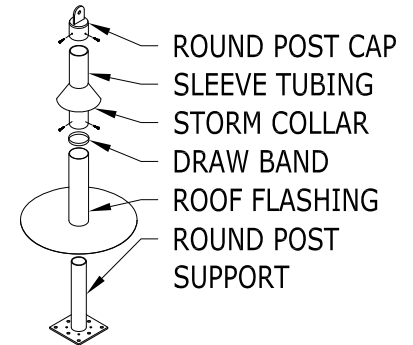
ROOFSCREEN MFG., INC.  
347 CORAL STREET  
SANTA CRUZ, CA 95060

PRINT DATE: 11/10/2016

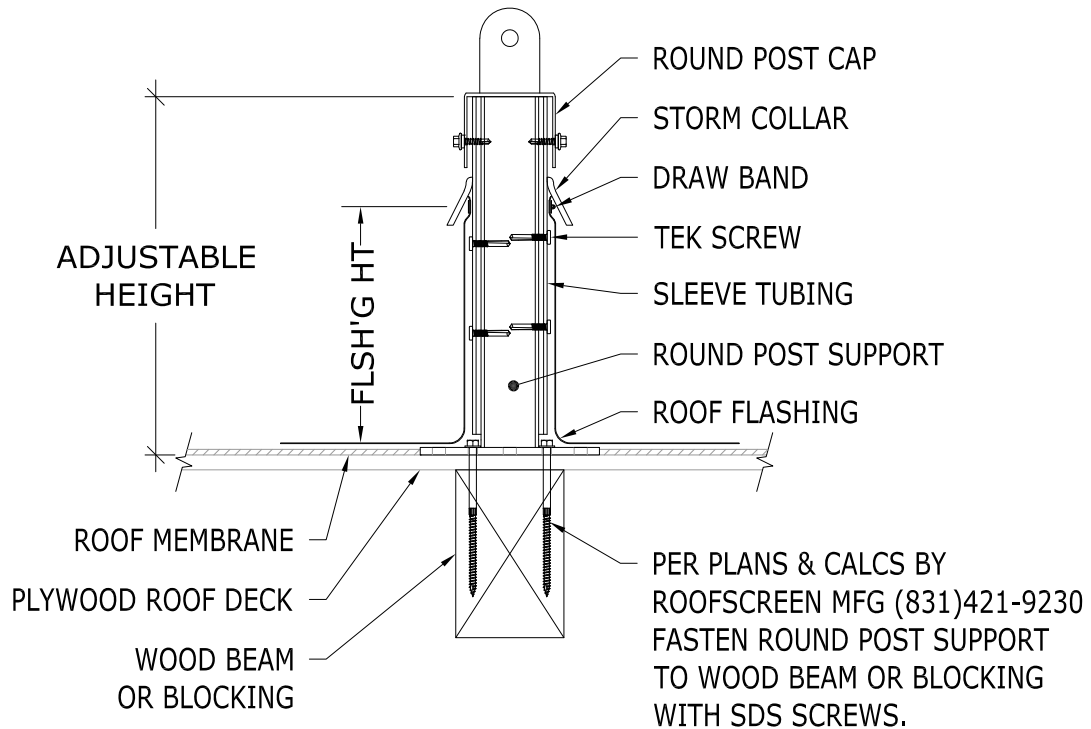
REV. DATE: 11/10/2016

SCALE:

NTS



EXPLODED VIEW



**PLYWOOD OVER WOOD FRAMING  
SDS SCREW ATTACH - NO INSULATION**



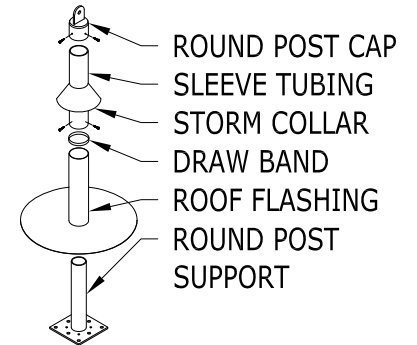
DRAWN BY: ML

ROOFSCREEN MFG., INC.  
347 CORAL STREET  
SANTA CRUZ, CA 95060

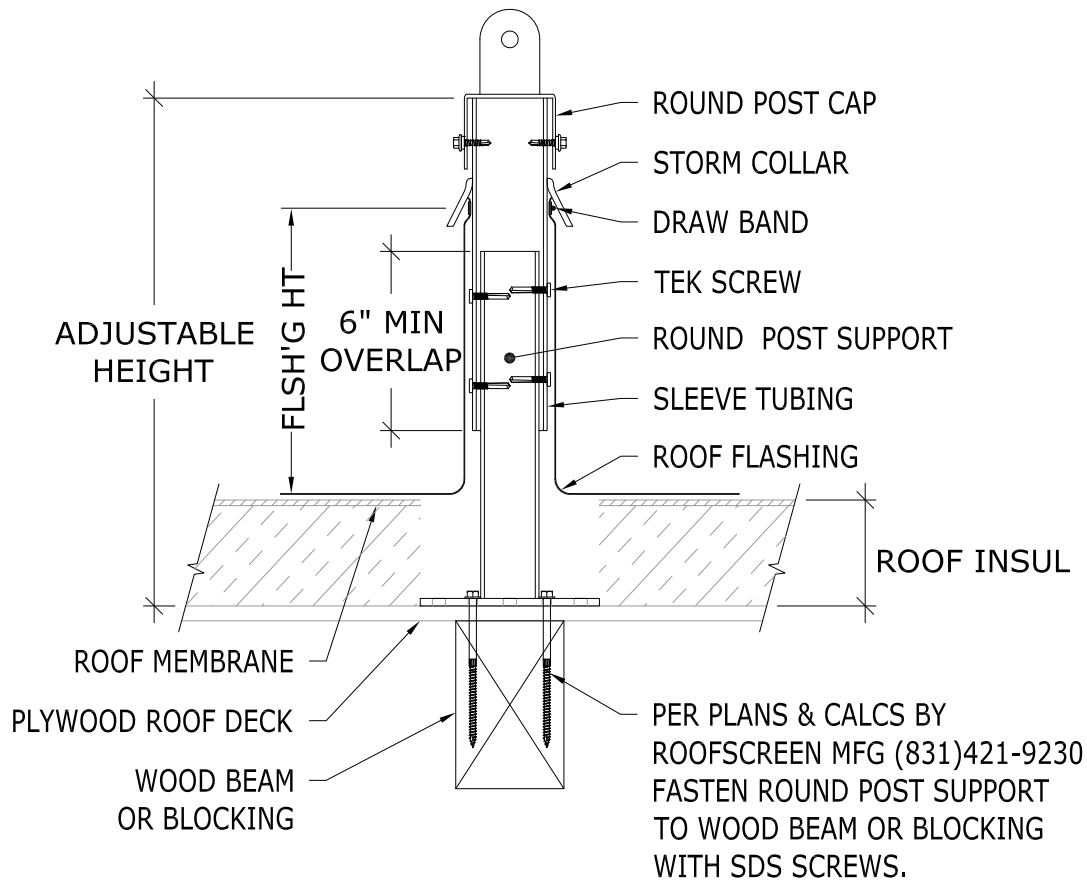
PRINT DATE: 11/10/2016

REV. DATE: 11/10/2016

SCALE: NTS



EXPLODED VIEW



PLYWOOD OVER WOOD FRAMING  
SDS SCREW ATTACH - WITH INSULATION