

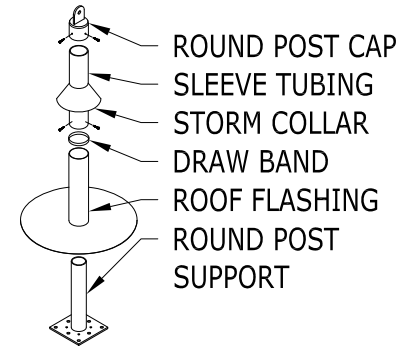
ROOFSCREEN MFG., INC.  
347 CORAL STREET  
SANTA CRUZ, CA 95060

PRINT DATE: 11/10/2016

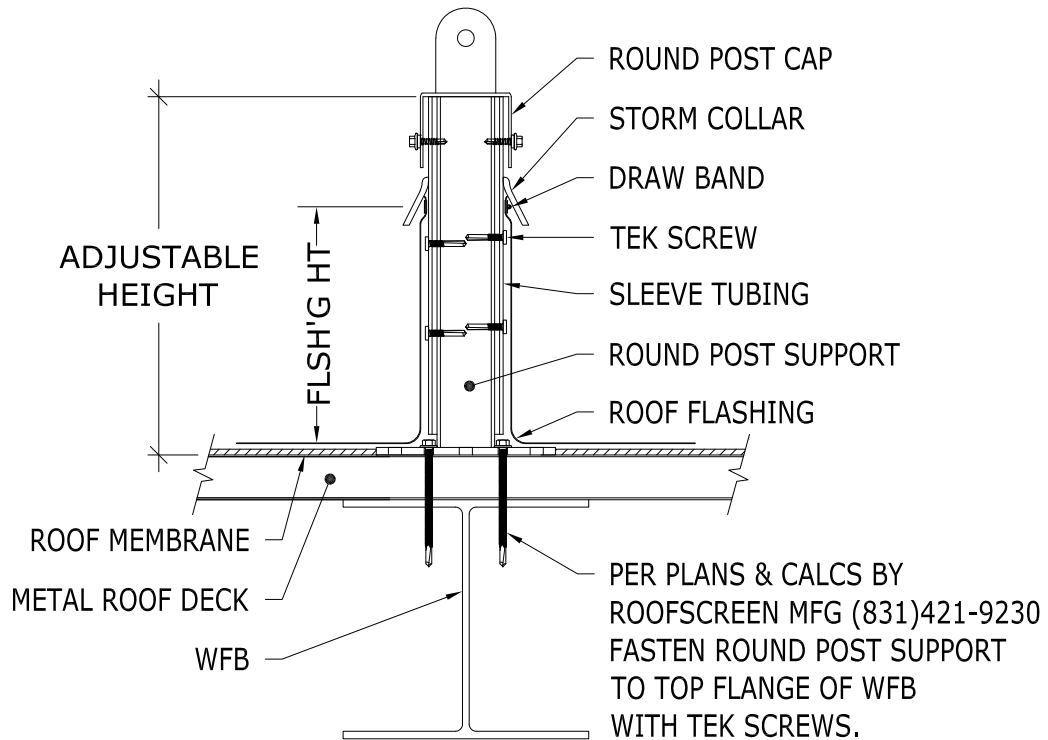
REV. DATE: 11/10/2016

SCALE:

NTS



EXPLODED VIEW



METAL DECKING OVER WIDE FLANGE BEAM  
TEK SCREW ATTACH - NO INSULATION

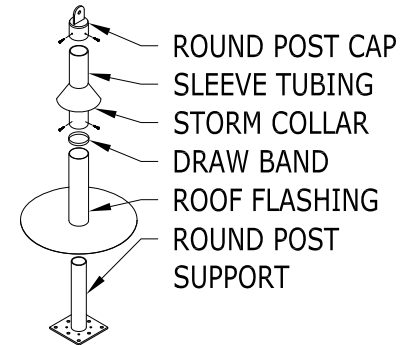
ROOFSCREEN MFG., INC.  
347 CORAL STREET  
SANTA CRUZ, CA 95060

PRINT DATE: 11/10/2016

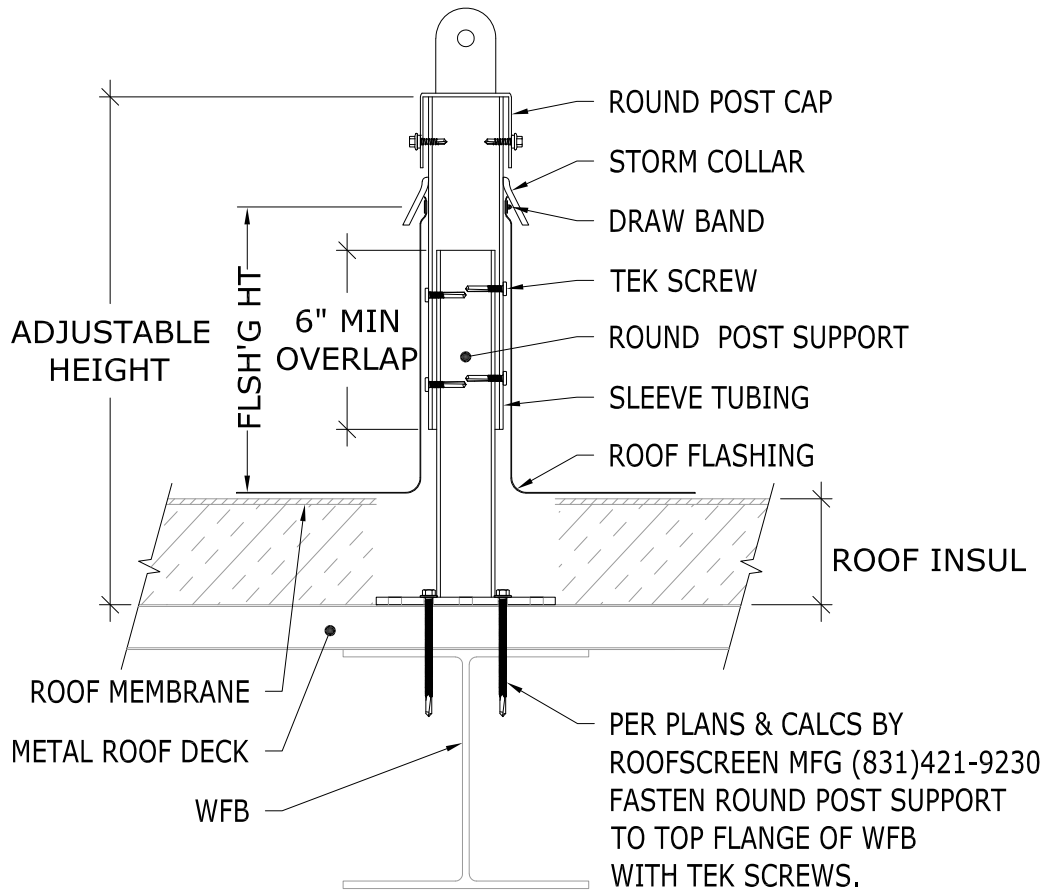
REV. DATE: 11/10/2016

SCALE:

NTS



EXPLODED VIEW



METAL DECKING OVER WIDE FLANGE BEAM  
TEK SCREW ATTACH - WITH INSULATION



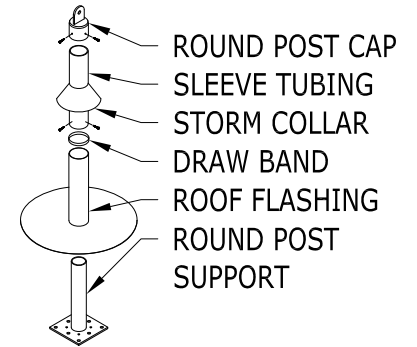
DRAWN BY: ML

ROOFSCREEN MFG., INC.  
347 CORAL STREET  
SANTA CRUZ, CA 95060

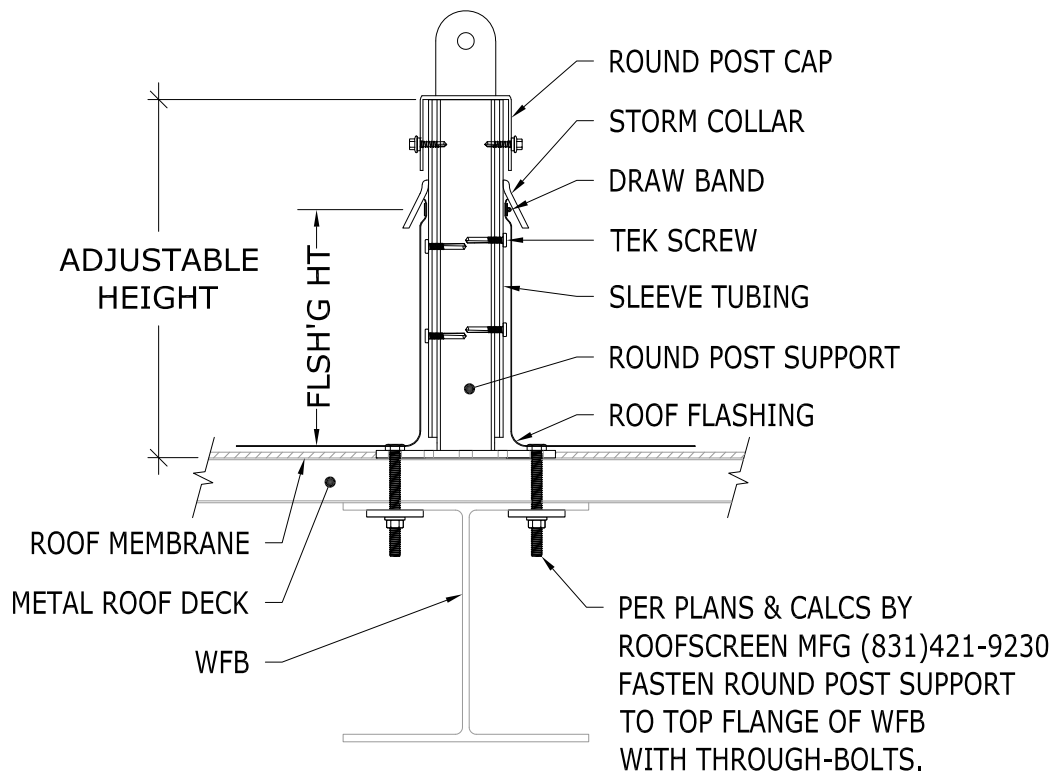
PRINT DATE: 11/10/2016

REV. DATE: 11/10/2016

SCALE: NTS



EXPLODED VIEW



METAL DECKING OVER WIDE FLANGE BEAM  
THROUGH-BOLT ATTACH - NO INSULATION



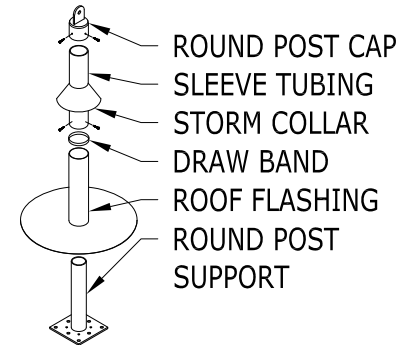
DRAWN BY: ML

ROOFSCREEN MFG., INC.  
347 CORAL STREET  
SANTA CRUZ, CA 95060

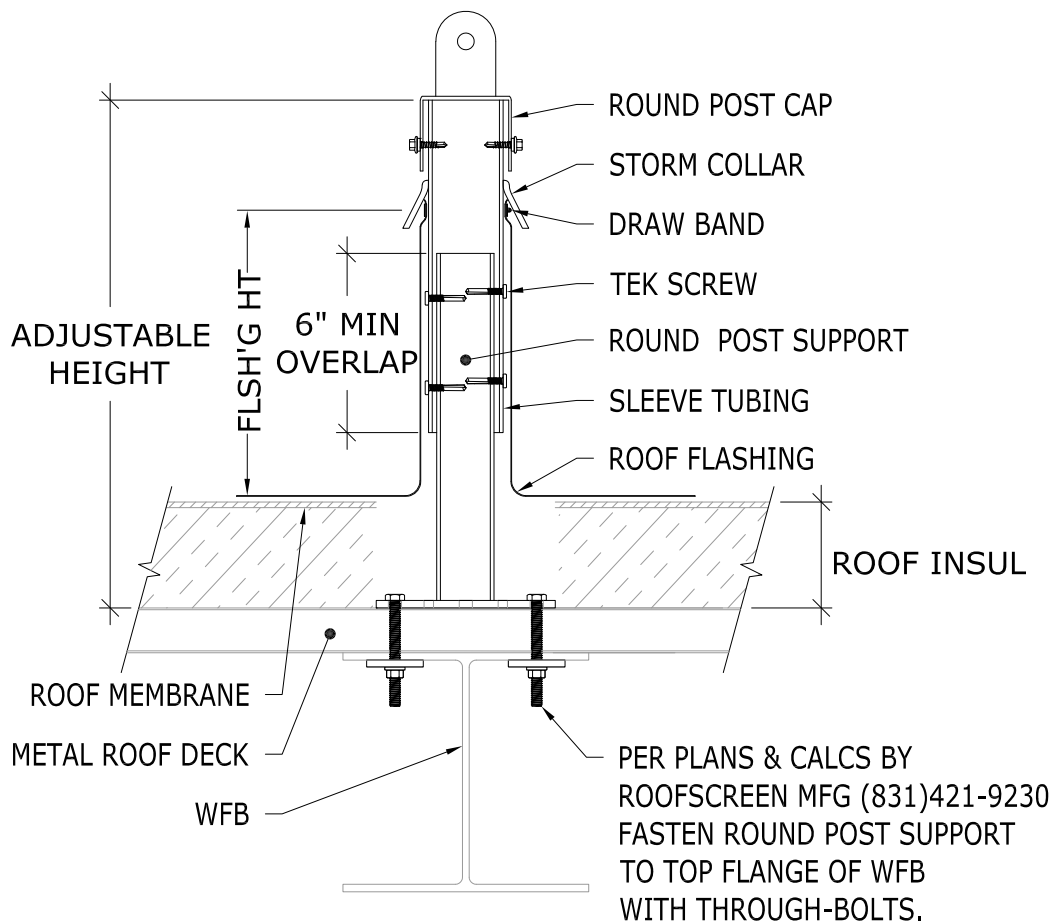
PRINT DATE: 11/10/2016

REV. DATE: 11/10/2016

SCALE: NTS



EXPLODED VIEW



METAL DECKING OVER WIDE FLANGE BEAM  
THROUGH-BOLT ATTACH - WITH INSULATION