

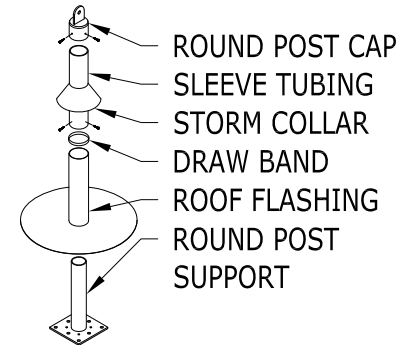
ROOFSCREEN MFG., INC.  
347 CORAL STREET  
SANTA CRUZ, CA 95060

PRINT DATE: 11/10/2016

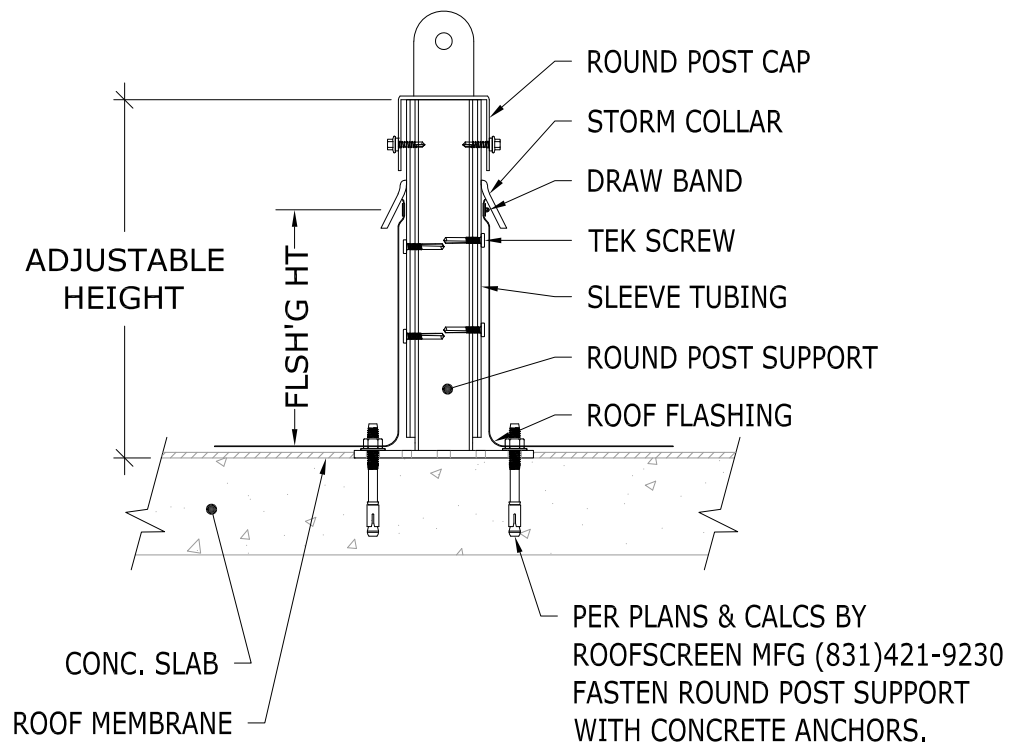
REV. DATE: 11/10/2016

SCALE:

NTS



EXPLODED VIEW



STRUCTURAL CONCRETE  
CONCRETE ANCHORS - NO INSULATION



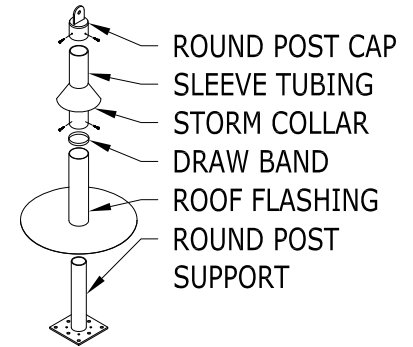
DRAWN BY: ML

ROOFSCREEN MFG., INC.  
347 CORAL STREET  
SANTA CRUZ, CA 95060

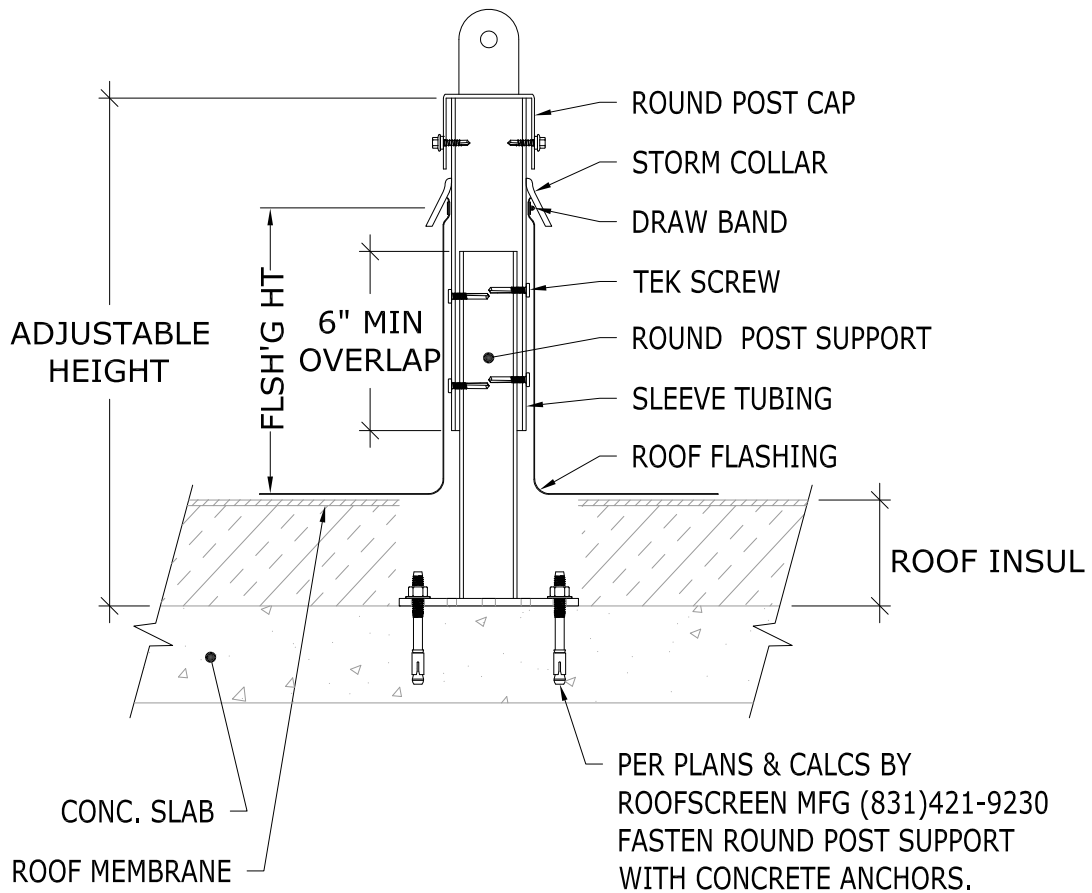
PRINT DATE: 11/10/2016

REV. DATE: 11/10/2016

SCALE: NTS



EXPLODED VIEW



STRUCTURAL CONCRETE  
CONCRETE ANCHORS - WITH INSULATION

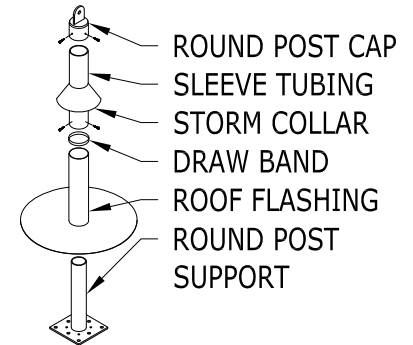
ROOFSCREEN MFG., INC.  
347 CORAL STREET  
SANTA CRUZ, CA 95060

PRINT DATE: 11/10/2016

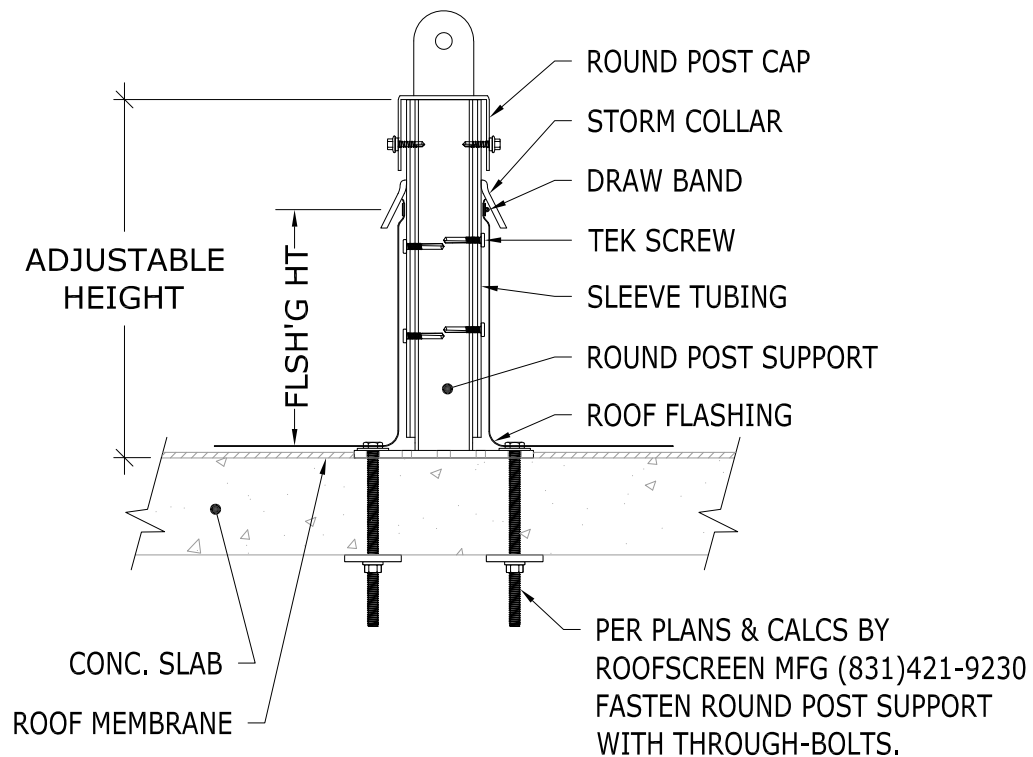
REV. DATE: 11/10/2016

SCALE:

NTS



EXPLODED VIEW



**STRUCTURAL CONCRETE**  
**THROUGH-BOLTS - NO INSULATION**



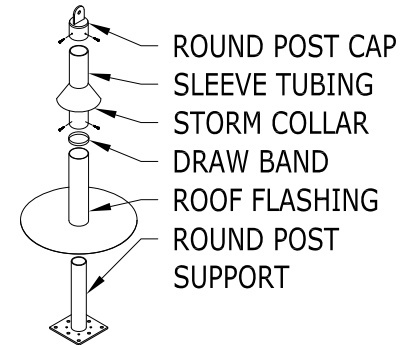
DRAWN BY: ML

ROOFSCREEN MFG., INC.  
347 CORAL STREET  
SANTA CRUZ, CA 95060

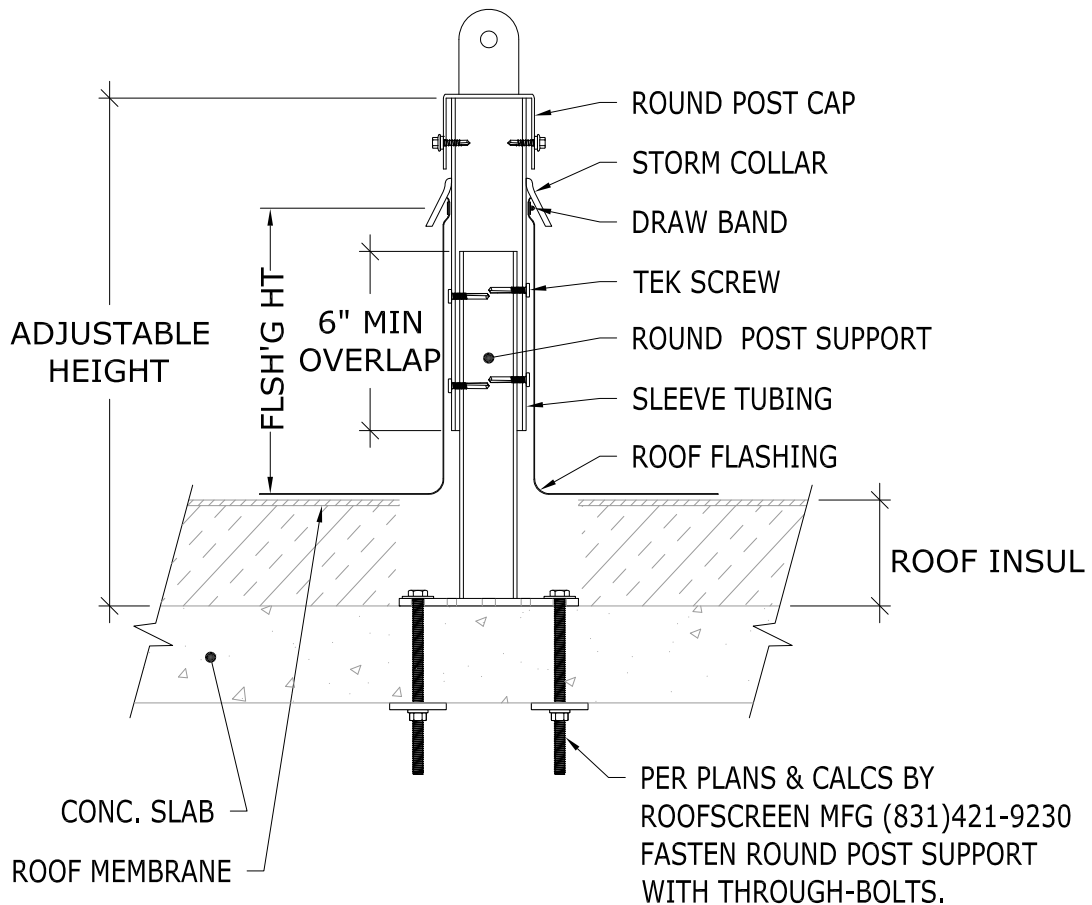
PRINT DATE: 11/10/2016

REV. DATE: 11/10/2016

SCALE: NTS



EXPLODED VIEW



STRUCTURAL CONCRETE  
THROUGH BOLTS - WITH INSULATION

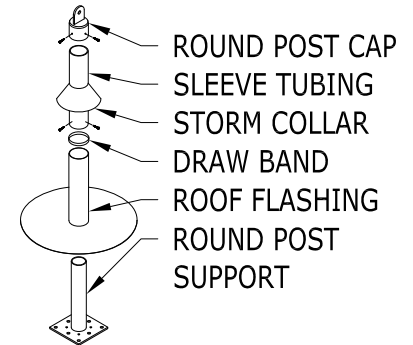
PER PLANS & CALCS BY  
ROOFSCREEN MFG (831)421-9230  
FASTEN ROUND POST SUPPORT  
WITH THROUGH-BOLTS.

ROOFSCREEN MFG., INC.  
347 CORAL STREET  
SANTA CRUZ, CA 95060

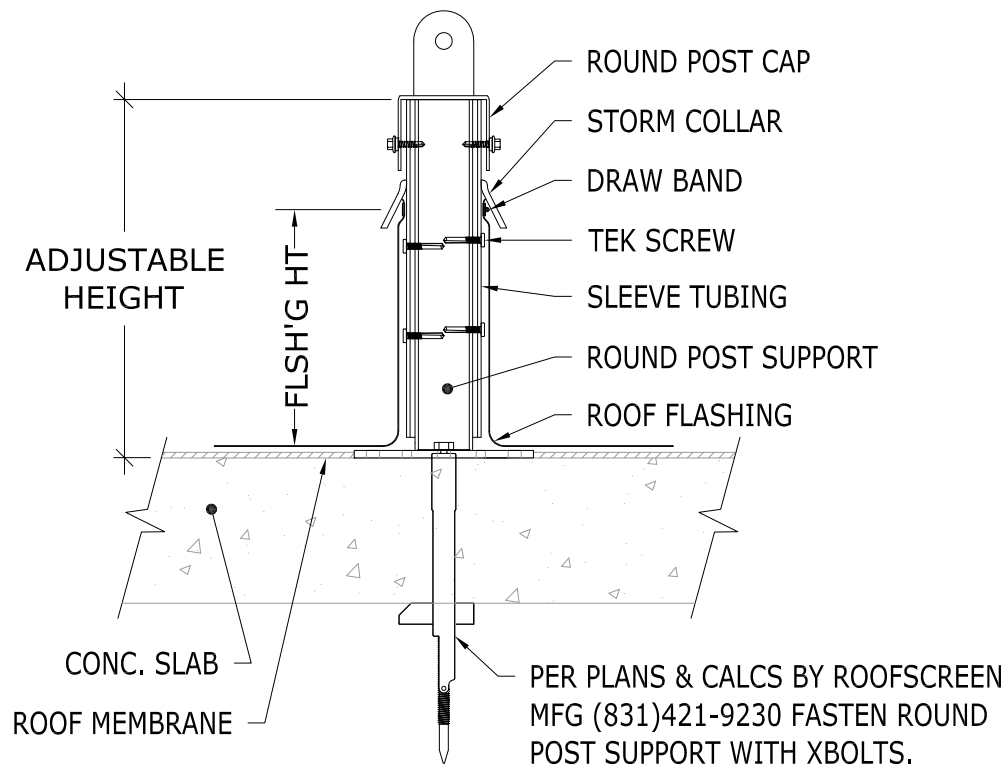
PRINT DATE: 11/10/2016

REV. DATE: 11/10/2016

SCALE: NTS



EXPLODED VIEW



STRUCTURAL CONCRETE  
XBOLTS - NO INSULATION

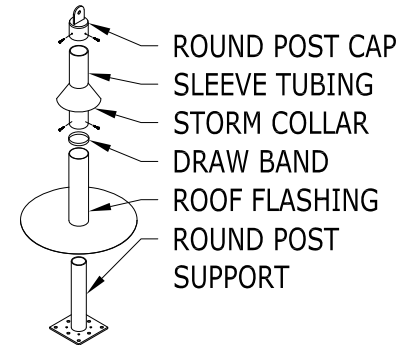
ROOFSCREEN MFG., INC.  
347 CORAL STREET  
SANTA CRUZ, CA 95060

PRINT DATE: 11/10/2016

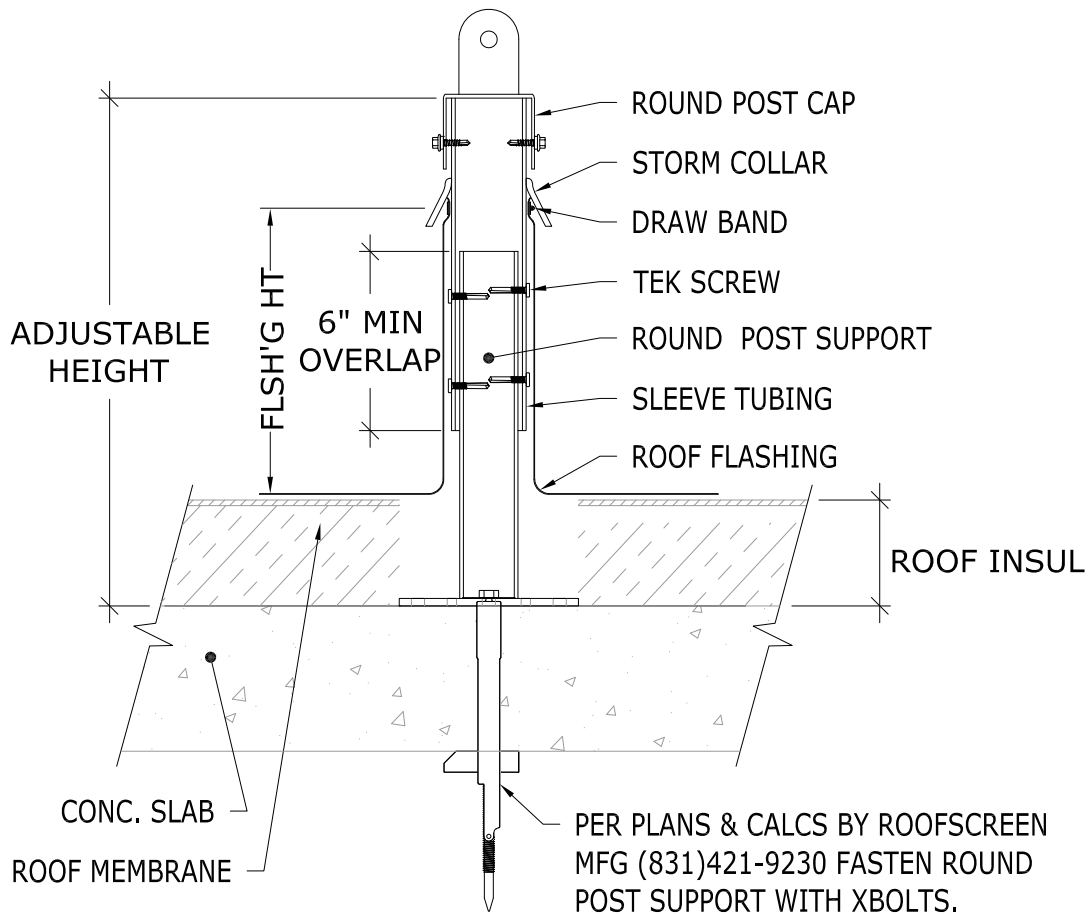
REV. DATE: 11/10/2016

SCALE:

NTS



EXPLODED VIEW



STRUCTURAL CONCRETE  
XBOLTS - WITH INSULATION