



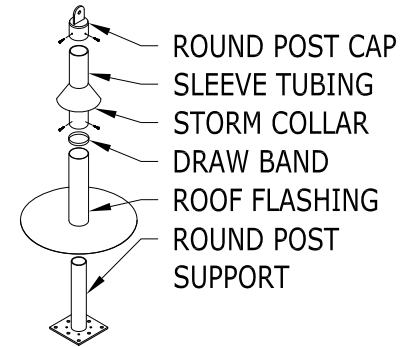
DRAWN BY: MT

ROOFSCREEN MFG., INC.
347 CORAL STREET
SANTA CRUZ, CA 95060

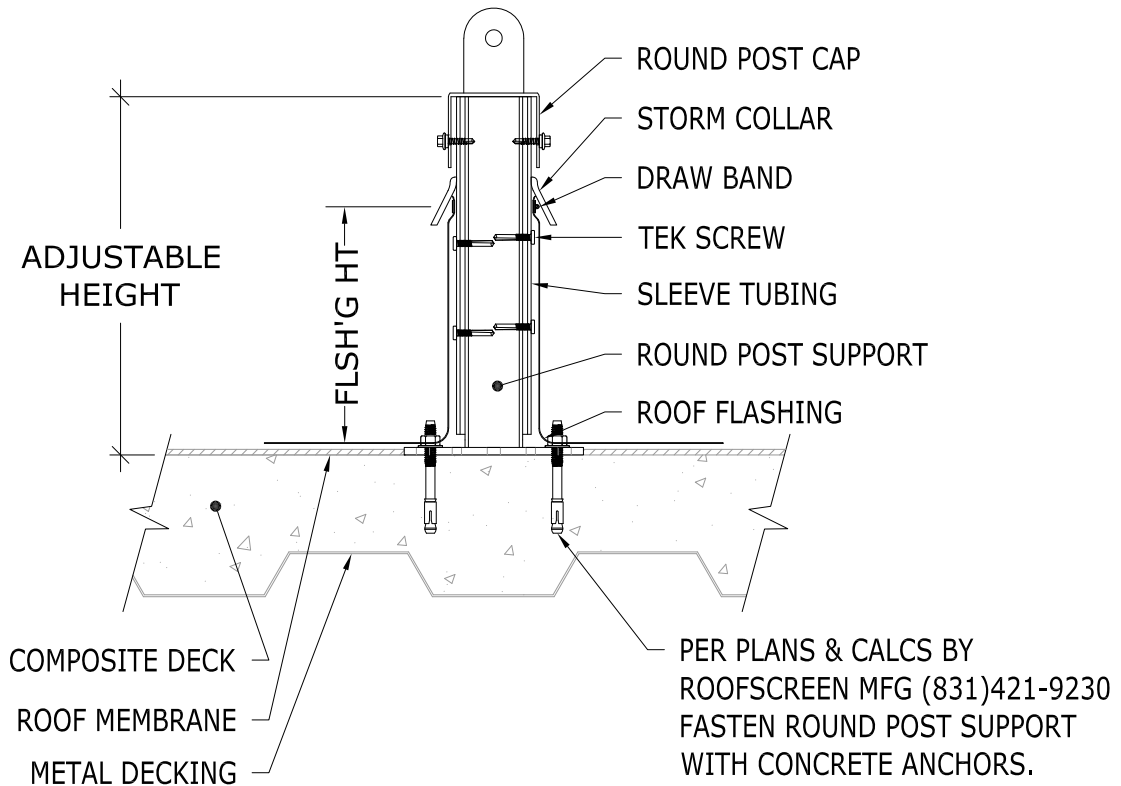
PRINT DATE: 11/10/2016

REV. DATE: 11/10/2016

SCALE: NTS



EXPLODED VIEW



COMPOSITE (STRUCTURAL CONCRETE OVER METAL DECKING)
CONCRETE ANCHORS - NO INSULATION



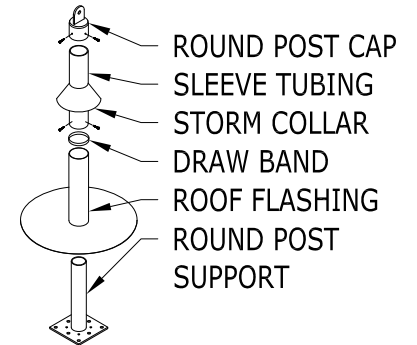
DRAWN BY: MT

ROOFSCREEN MFG., INC.
347 CORAL STREET
SANTA CRUZ, CA 95060

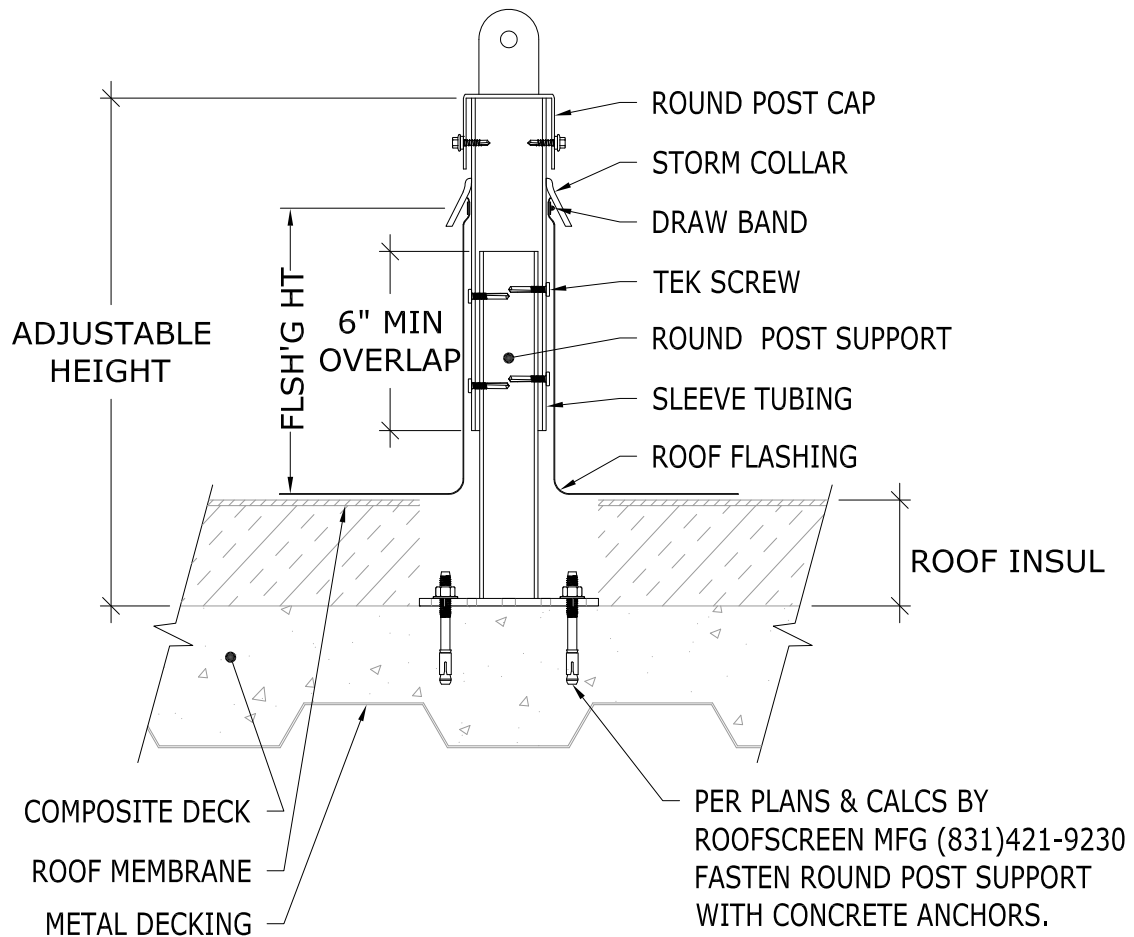
PRINT DATE: 11/10/2016

REV. DATE: 11/10/2016

SCALE: NTS



EXPLODED VIEW



COMPOSITE (STRUCTURAL CONCRETE OVER METAL DECKING)
CONCRETE ANCHORS - WITH INSULATION



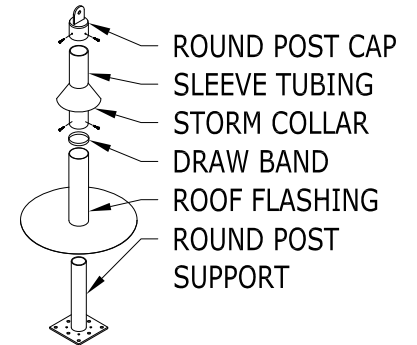
DRAWN BY: MT

ROOFSCREEN MFG., INC.
347 CORAL STREET
SANTA CRUZ, CA 95060

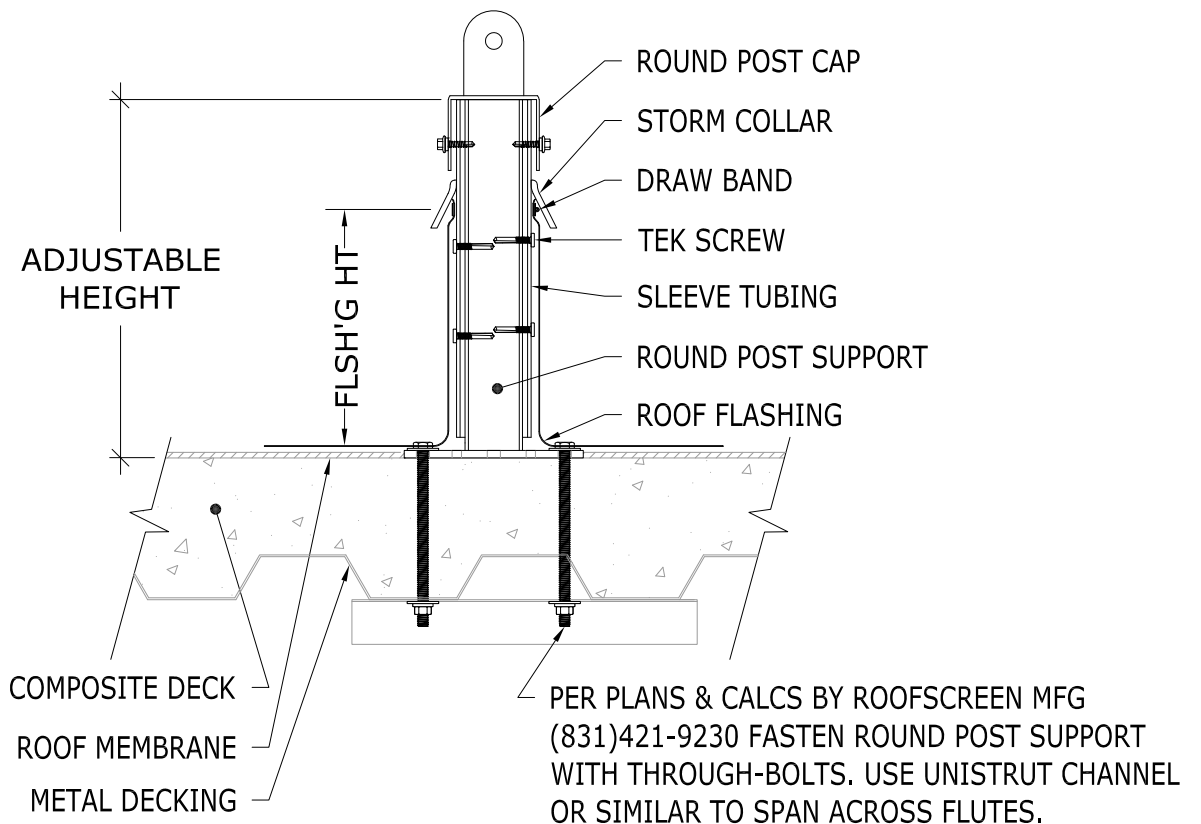
PRINT DATE: 11/10/2016

REV. DATE: 11/10/2016

SCALE: NTS



EXPLODED VIEW



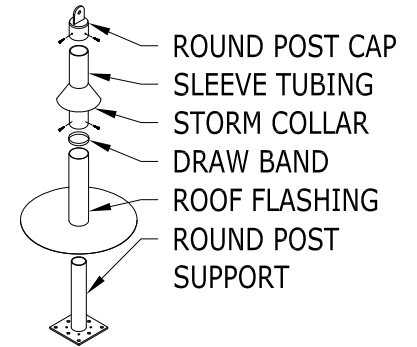
COMPOSITE (STRUCTURAL CONCRETE OVER METAL DECKING)
THROUGH-BOLTS - NO INSULATION

ROOFSCREEN MFG., INC.
 347 CORAL STREET
 SANTA CRUZ, CA 95060

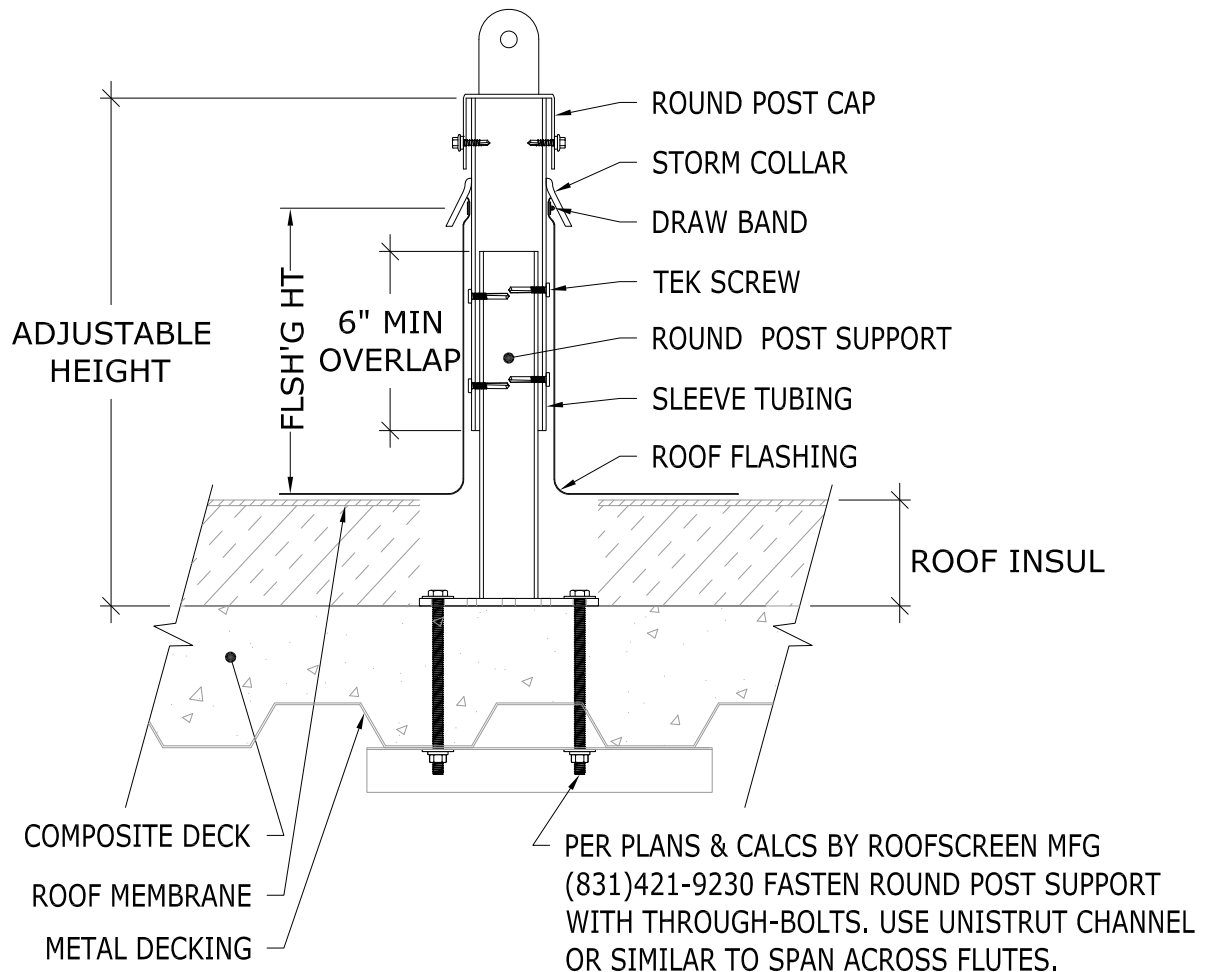
PRINT DATE: 11/10/2016

REV. DATE: 11/10/2016

SCALE: NTS



EXPLODED VIEW



COMPOSITE (STRUCTURAL CONCRETE OVER METAL DECKING)
 THROUGH-BOLTS - WITH INSULATION



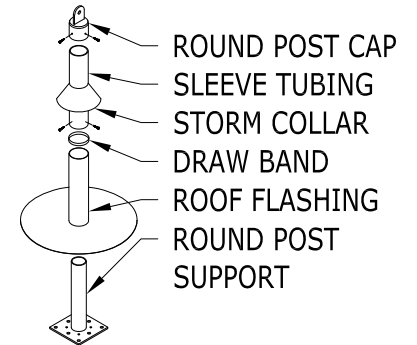
DRAWN BY: MT

ROOFSCREEN MFG., INC.
347 CORAL STREET
SANTA CRUZ, CA 95060

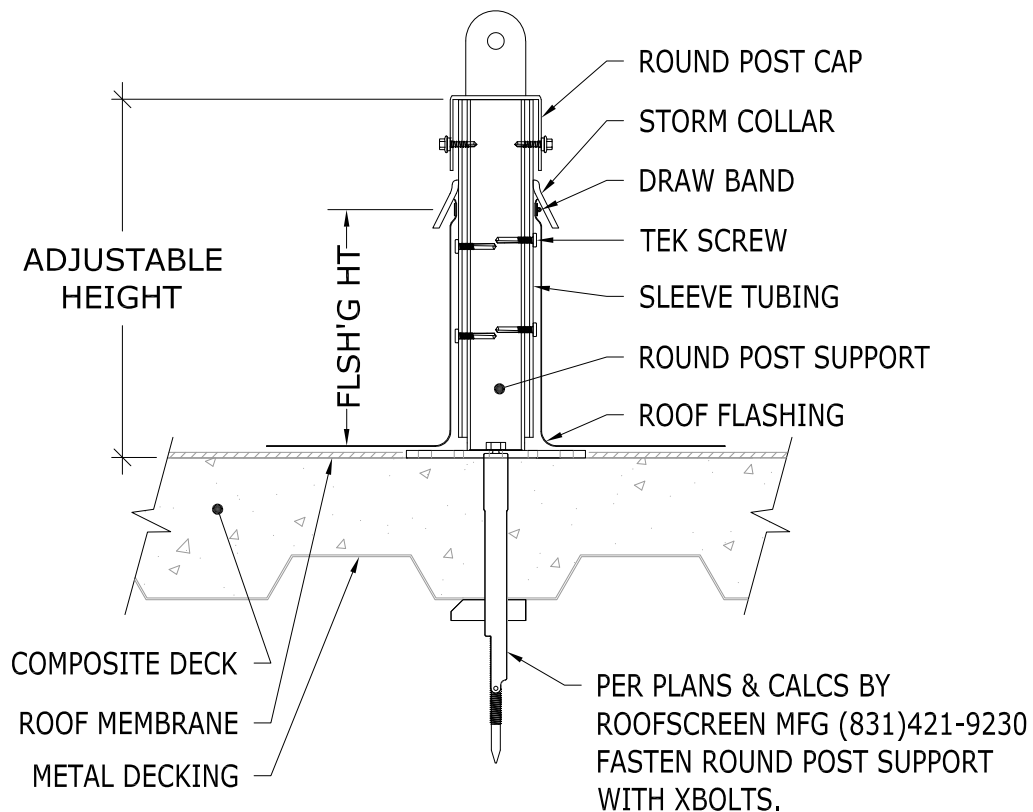
PRINT DATE: 11/10/2016

REV. DATE: 11/10/2016

SCALE: NTS



EXPLODED VIEW



COMPOSITE (STRUCTURAL CONCRETE OVER METAL DECKING)
XBOLTS - NO INSULATION



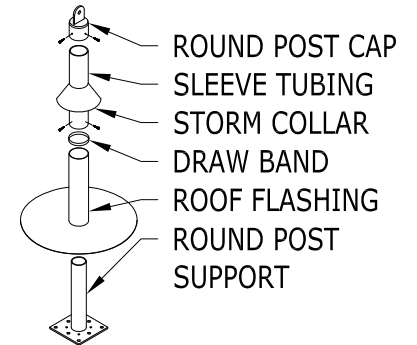
DRAWN BY: MT

ROOFSCREEN MFG., INC.
347 CORAL STREET
SANTA CRUZ, CA 95060

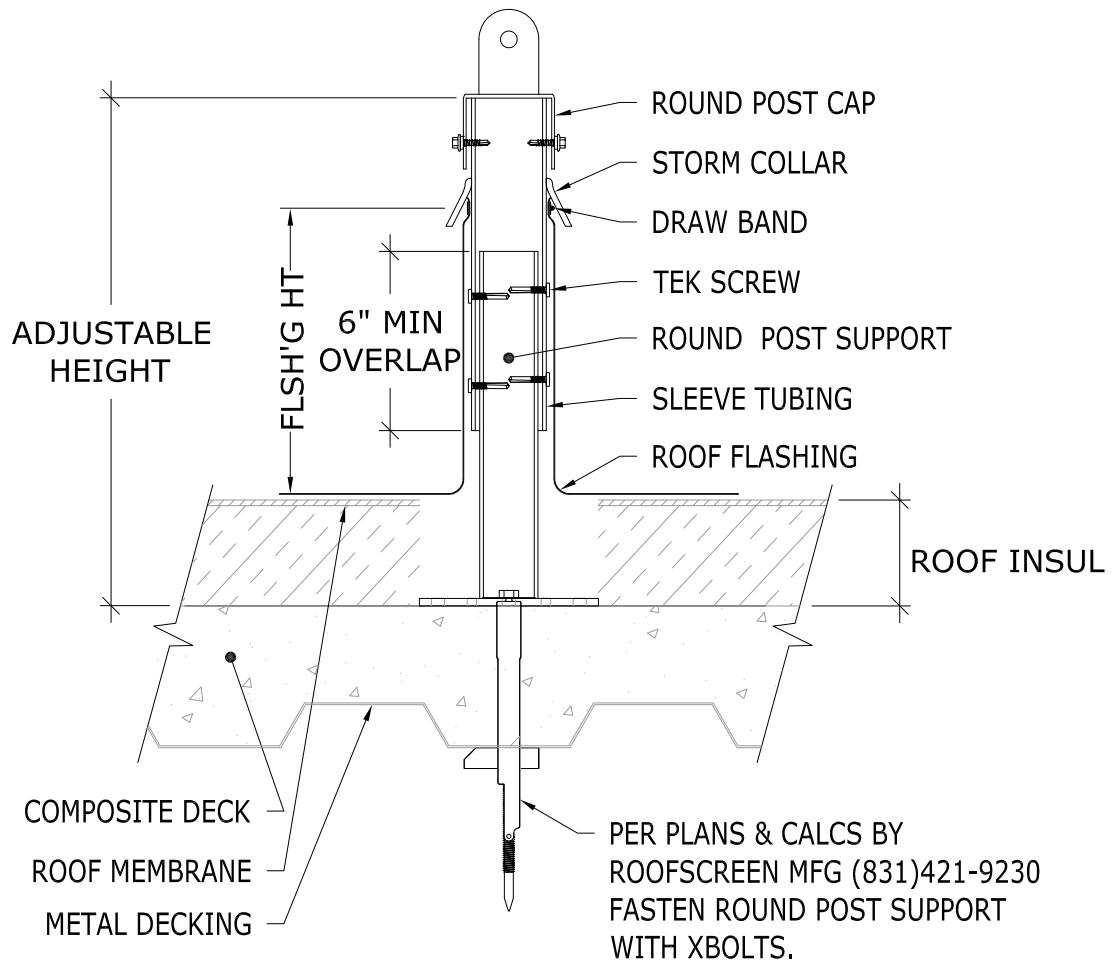
PRINT DATE: 11/10/2016

REV. DATE: 11/10/2016

SCALE: NTS



EXPLODED VIEW



COMPOSITE (STRUCTURAL CONCRETE OVER METAL DECKING)
XBOLTS - WITH INSULATION