



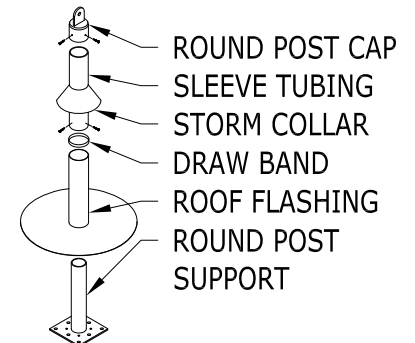
DRAWN BY: ML

ROOFSCREEN MFG., INC.
347 CORAL STREET
SANTA CRUZ, CA 95060

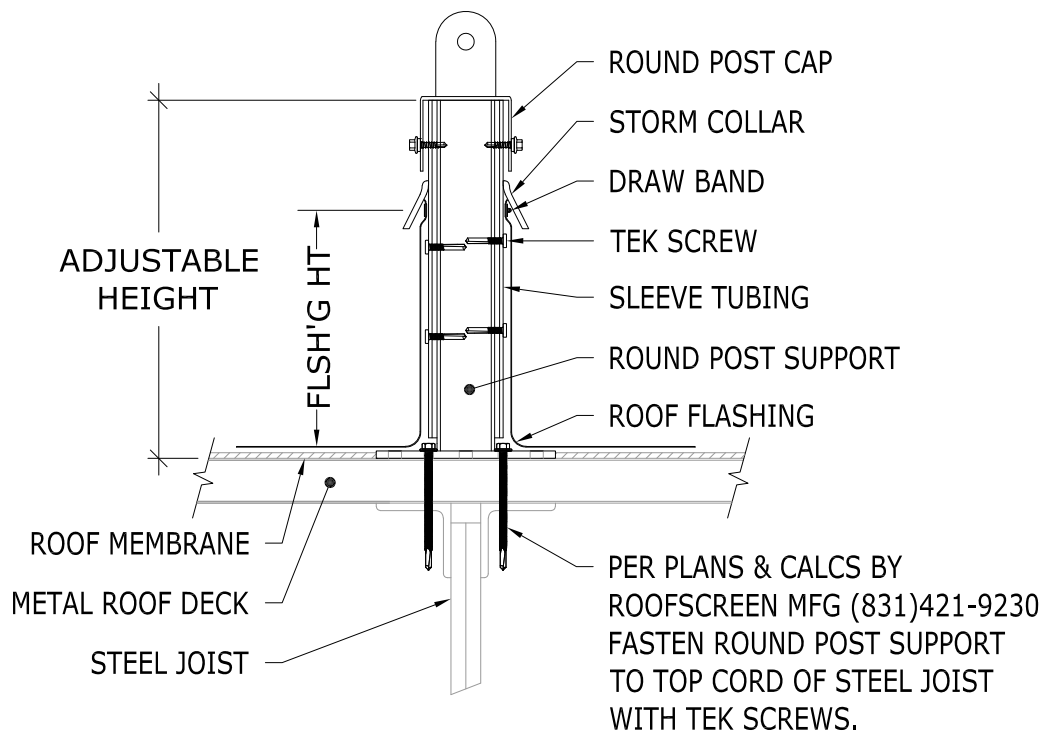
PRINT DATE: 11/10/2016

REV. DATE: 11/10/2016

SCALE: NTS



EXPLODED VIEW



METAL DECKING OVER OPEN WEB STEEL JOIST
TEK SCREW ATTACH - NO INSULATION



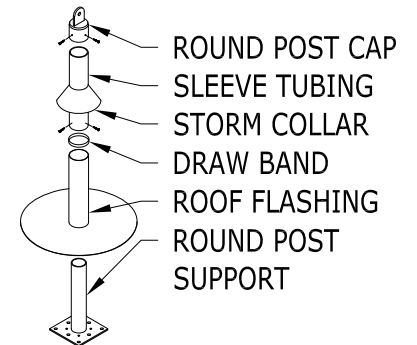
DRAWN BY: ML

ROOFSCREEN MFG., INC.
347 CORAL STREET
SANTA CRUZ, CA 95060

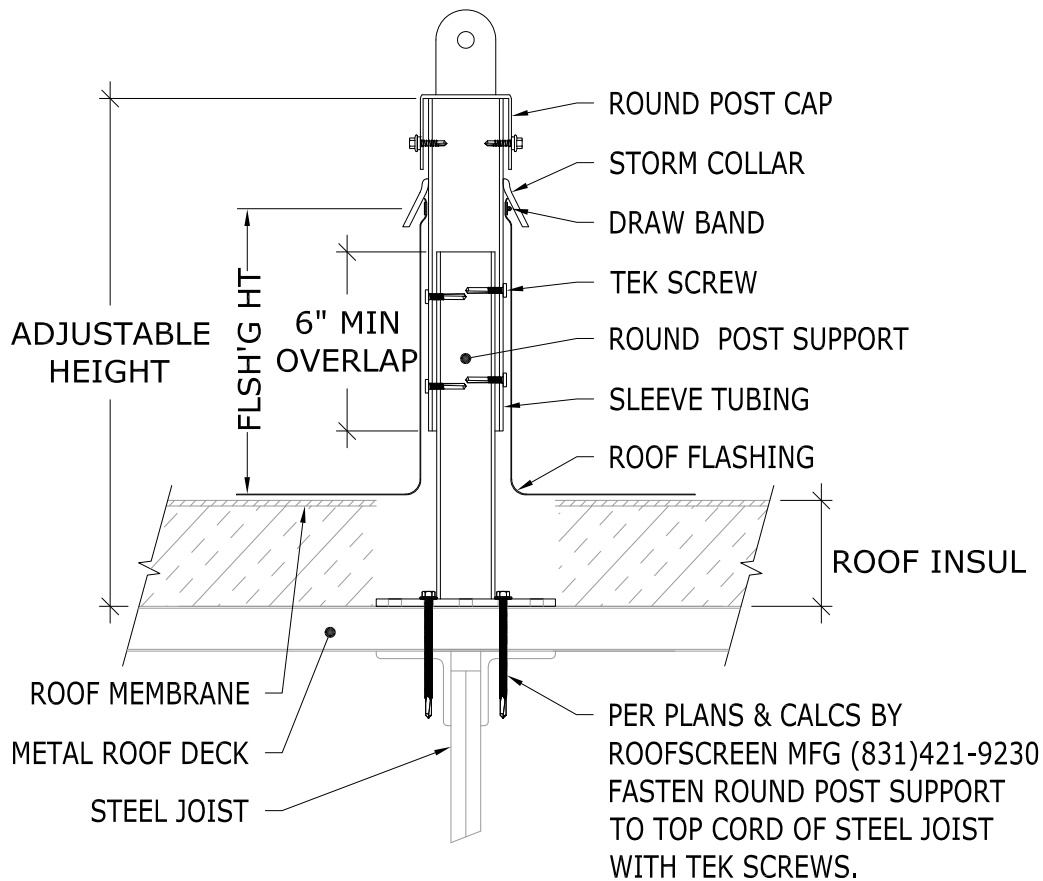
PRINT DATE: 11/10/2016

REV. DATE: 11/10/2016

SCALE: NTS



EXPLODED VIEW



METAL DECKING OVER OPEN WEB STEEL JOIST
TEK SCREW ATTACH - WITH INSULATION



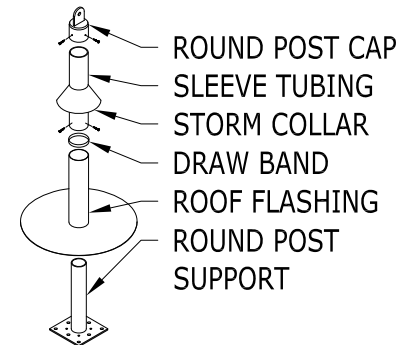
DRAWN BY: ML

ROOFSCREEN MFG., INC.
347 CORAL STREET
SANTA CRUZ, CA 95060

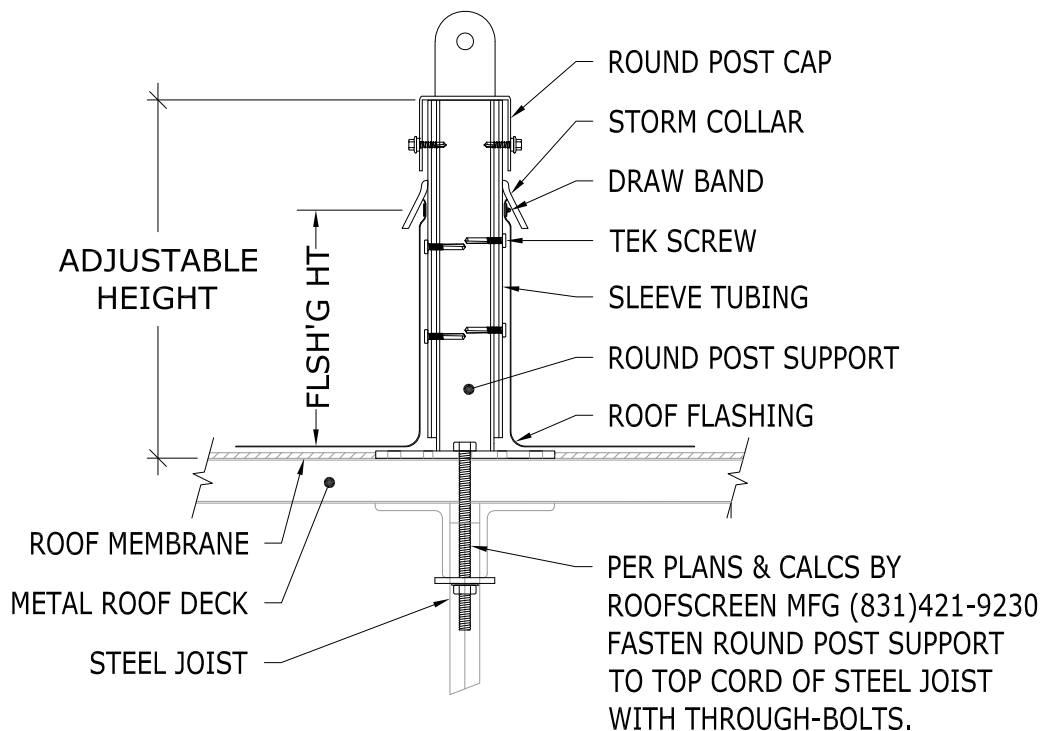
PRINT DATE: 11/10/2016

REV. DATE: 11/10/2016

SCALE: NTS



EXPLODED VIEW



METAL DECKING OVER OPEN WEB STEEL JOIST
THROUGH-BOLT ATTACH - NO INSULATION

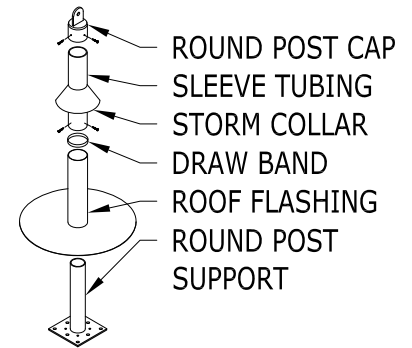
ROOFSCREEN MFG., INC.
347 CORAL STREET
SANTA CRUZ, CA 95060

PRINT DATE: 11/10/2016

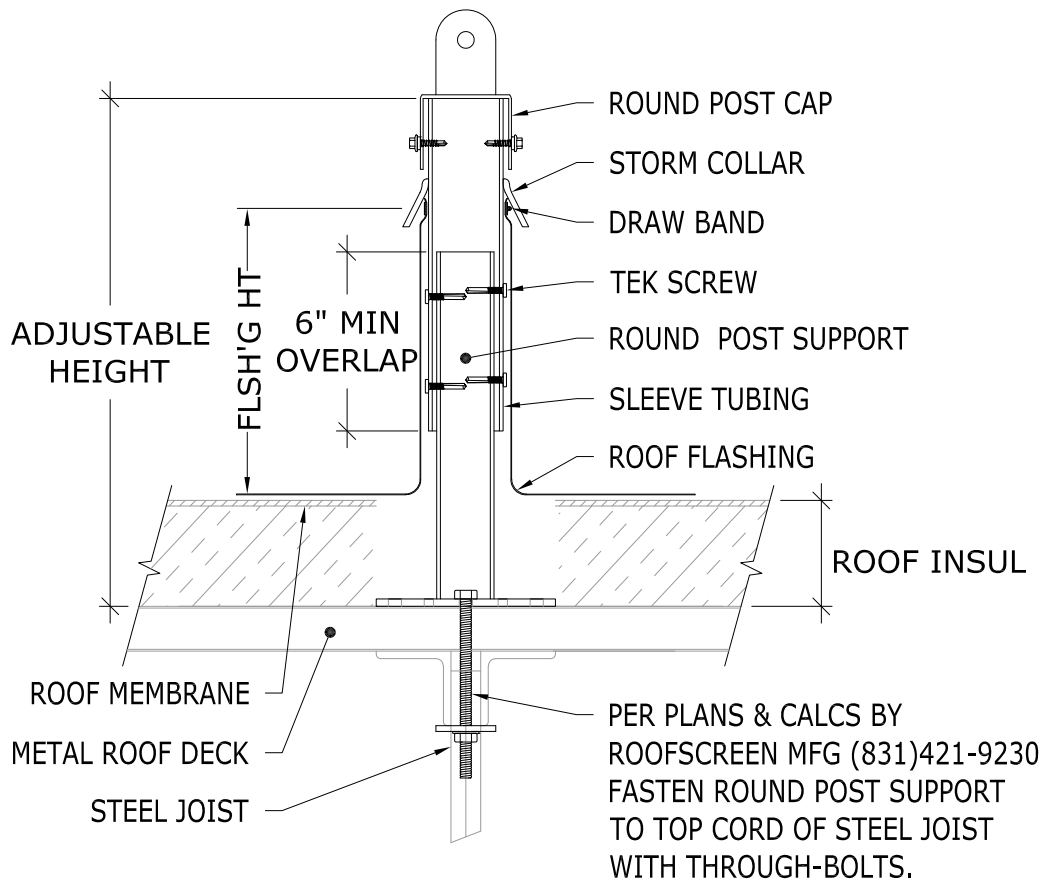
REV. DATE: 11/10/2016

SCALE:

NTS



EXPLODED VIEW



METAL DECKING OVER OPEN WEB STEEL JOIST
THROUGH-BOLT SCREW ATTACH - WITH INSULATION