



347 CORAL STREET
SANTA CRUZ, CA 95060
(831) 421-9230

SPECIFICATIONS

MATERIAL: 6063-T6 ALUM

FINISH: KYNAR

TITLE

CURVED LOUVER ASSEMBLY

MOUNTING TYPE

VERTICAL TREE

PART NAME

L30

SCALE

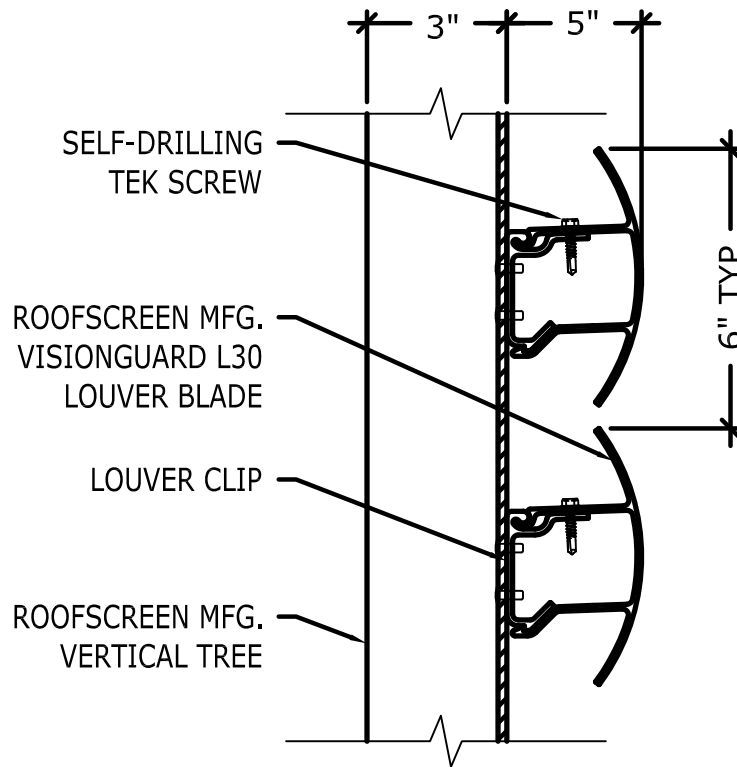
NTS

DRAWN BY

RWB

DATE

09.01.2016



ROOFSCREEN MFG.
L30 CURVED LOUVER



347 CORAL STREET
SANTA CRUZ, CA 95060
(831) 421-9230

SPECIFICATIONS

MATERIAL: NA

FINISH: NA

TITLE

LOUVER SPLICE JOINT

MOUNTING TYPE

VERTICAL TREE

PART NAME

NA

SCALE

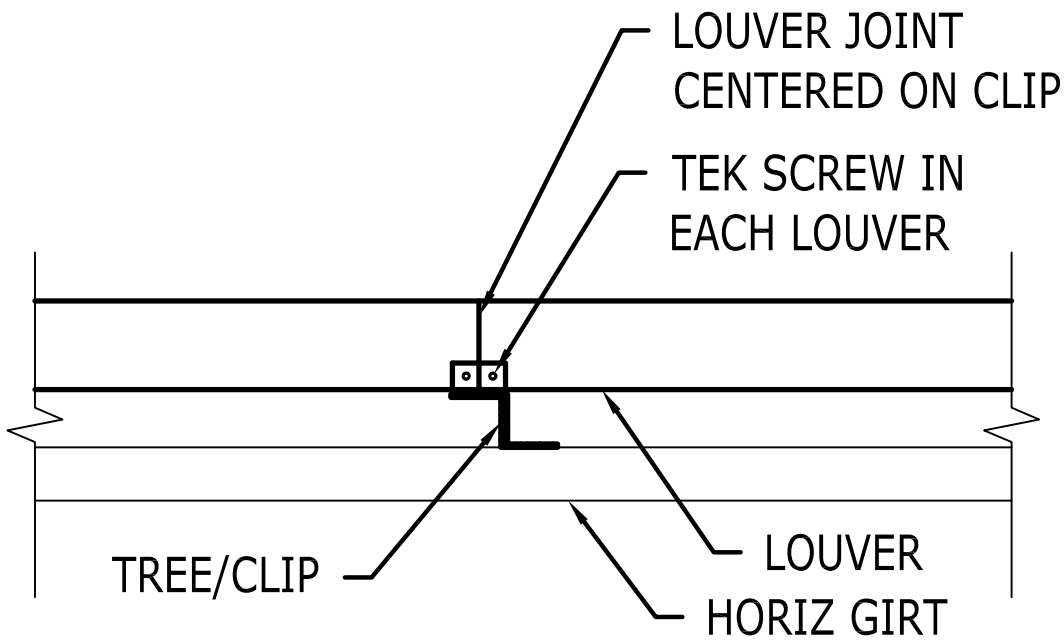
NTS

DRAWN BY

RWB

DATE

09.01.2016



ROOFSCREEN MFG. LOUVER SPLICE JOINT



347 CORAL STREET
SANTA CRUZ, CA 95060
(831) 421-9230

SPECIFICATIONS

MATERIAL: NA

FINISH: NA

TITLE

LOUVER CORNER TRIM

FASTENING TYPE

EXPOSED

PART NAME

NA

SCALE

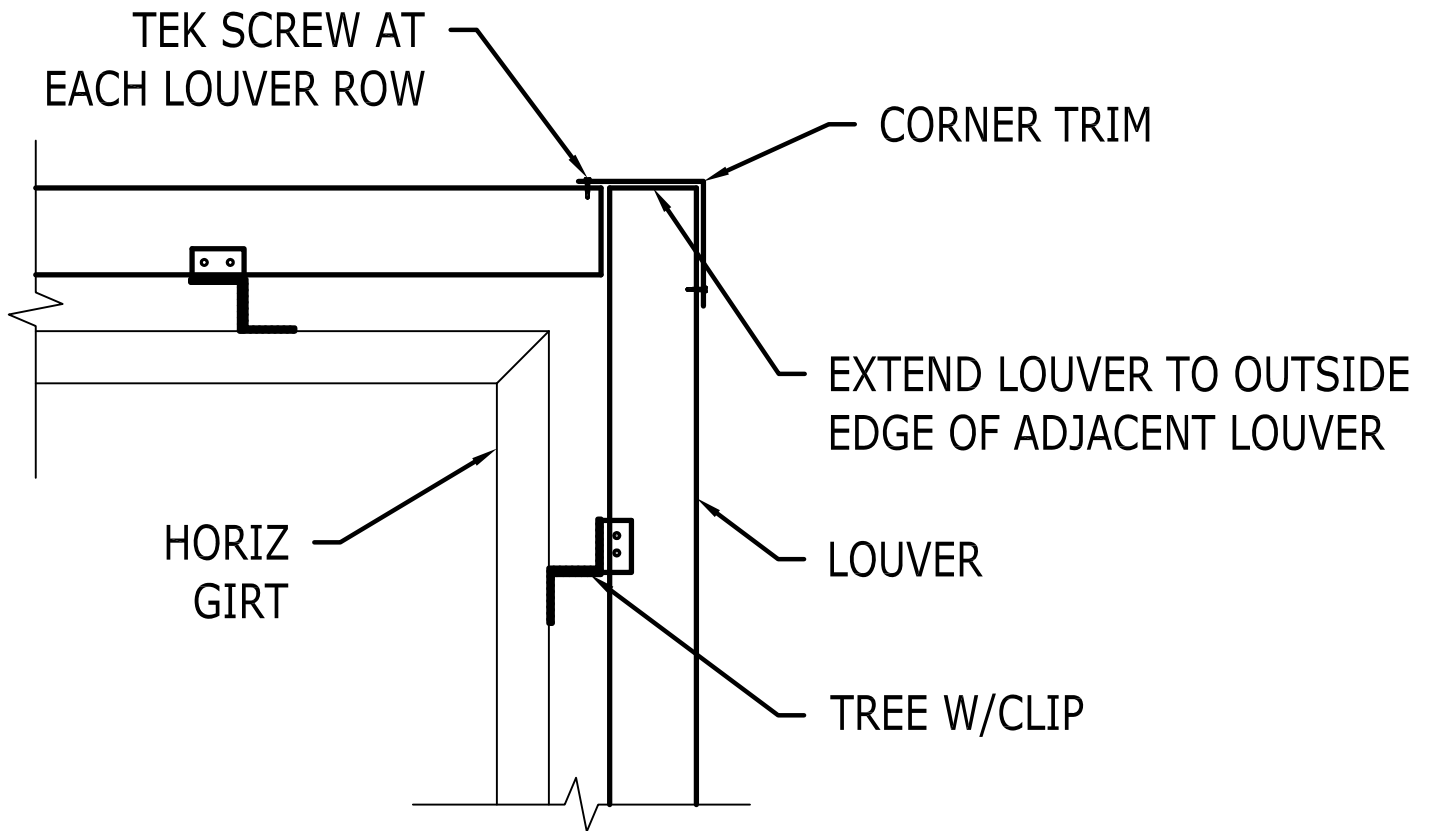
NTS

DRAWN BY

RWB

DATE

09.01.2016



ROOFSCREEN MFG. LOUVER CORNER TRIM



347 CORAL STREET
SANTA CRUZ, CA 95060
(831) 421-9230

SPECIFICATIONS

MATERIAL: NA

FINISH: NA

TITLE

LOUVER MITERED CORNER

FASTENING TYPE

CONCEALED CLIP

PART NAME

NA

SCALE

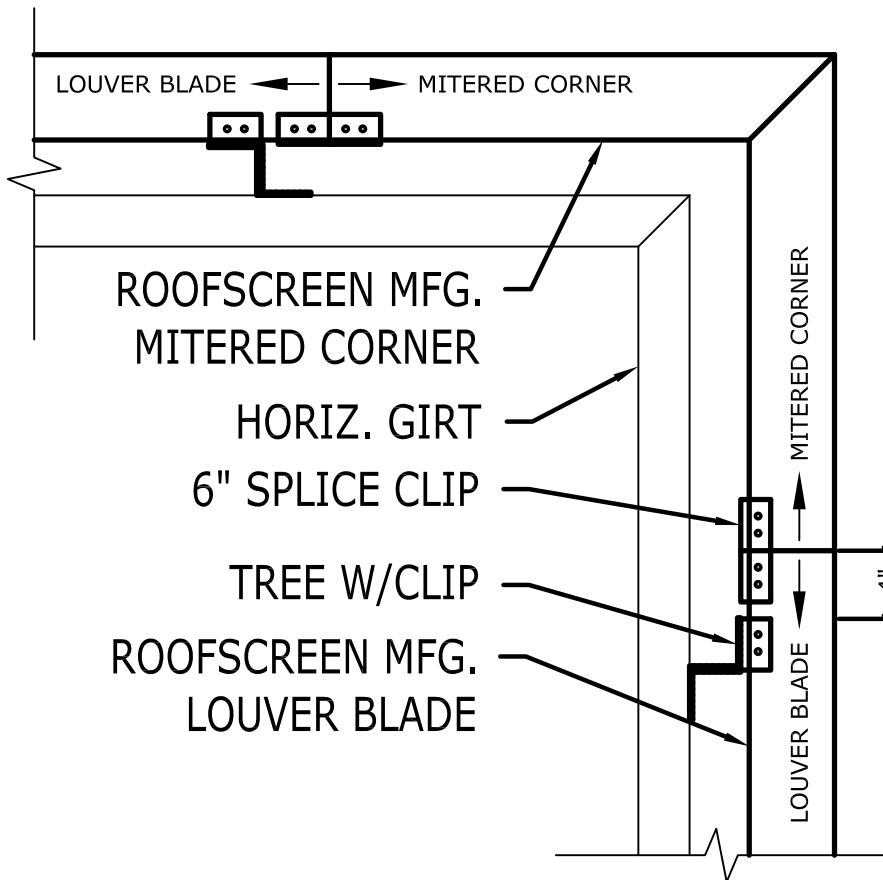
NTS

DRAWN BY

RWB

DATE

09.01.2016



ROOFSCREEN MFG. LOUVER MITERED CORNER