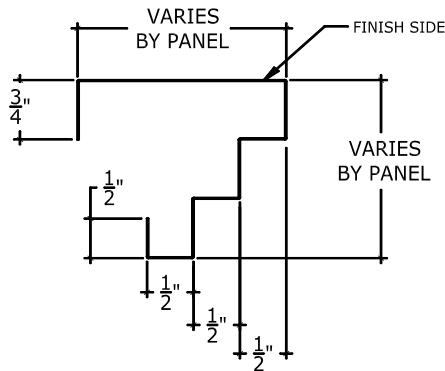


Stepped Trim Cap Specifications



- Material: 26ga, 24ga, 22ga steel (match RoofScreen panels)
- Dimensions: Varies to fit panel type
- Length: 10' sections
- Attachment: Stainless hex head self drilling screws
- Finish: Factory applied Kynar or Siliconized Polyester paint
- Colors: Match RoofScreen panels
- Warranty: 20 years plus. Varies with color and type of paint finish

Installation: Fasten the Trim Cap on the top of the panels using the self drilling screws, per the attachment detail shown to the right. The technique for lapping the trim caps depends on the type of trim. The general idea is to notch out the hem or flange on the front and back of the trim about 2"-3", then slip it into the next piece. Fasten with either screws or rivets.

