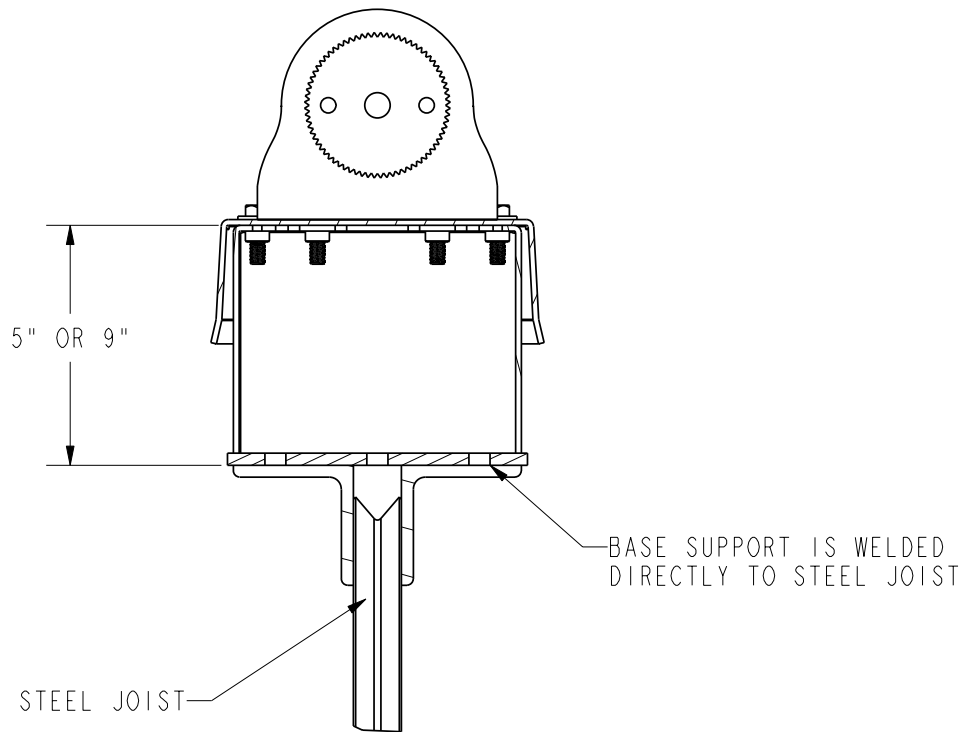
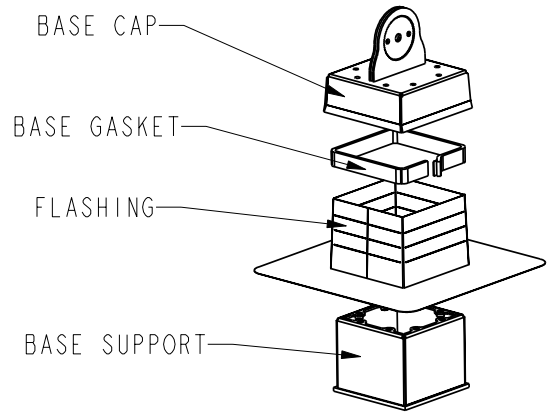




347 CORAL STREET, SANTA CRUZ, CA 95060  
(831) 421-9230



SECTION A-A

SPECIFICATIONS

TITLE WELD DIRECT TO STEEL JOIST  
TYPE 9

CONFIGURATION NAME BXF0T9

SCALE 0.250 DRAWN BY MDH DATE 28-Jun-06